

Table showing the differences between the versions PX389:

PxArt+ 3	CRI (min.)	CCT (K)**	brightness (lm)
PX389-930*	90	3000	540
PX389-850	80	5000	680

* highlighted version is available as standard, others on request

** other values are available on request

Device description

PxArt + 3 is a professional LED illuminator designed to illuminate museum and exhibition displays.

By using the latest semiconductor light sources OSOLON® Square and advanced control electronics, a high-class illuminator has been created that meets very high requirements concerning museum and exposition lighting. Its most important advantages include the total lack of ultraviolet radiation, trace amounts of infrared radiation, very high CRI colour rendering index, high brightness and low energy consumption.

The device has a handle that allows for its installation to GLOBAL Trac® Pulse control current rails which have an additional control line. An individual address assigned to each lamp enables the regulation of brightness independently from settings of other lamps.

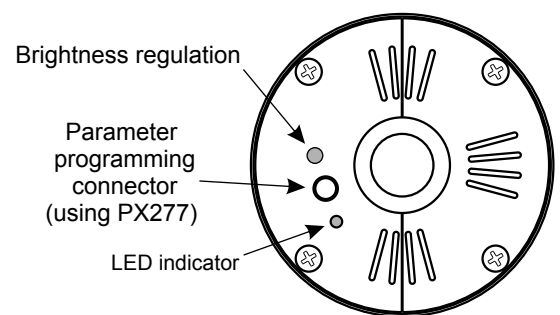
The button on the lamp housing also allows for manual control (e.g. when the lamp is connected to the current rail without control lines).

The lamp has high-efficiency LEDs and an effective control system thanks to which the lamp emits small amounts of heat. The lamp housing makes it possible to change the lighting direction on two axes.

Technical Data

Type:	PX389
Power:	230 V AC
Number of LEDs:	3
Power input:	10 W
Max. increase of the housing temp.:	+ 20° C
Luminous flux:	see table above
CRI colour rendering index:	min. 80 (see table above)
Lifetime of diodes:	50 000 h
Angles of reflectors:	10°, 22°, 40°
Brightness regulation extension:	0-100%
Control protokol:	DMX-512 / RDM
Available housing colours:	grey, black or white
Weight:	0,43 kg
Dimensions:	Width: 110 mm Height: 163,5 mm Diameter of the reflector: 87 mm

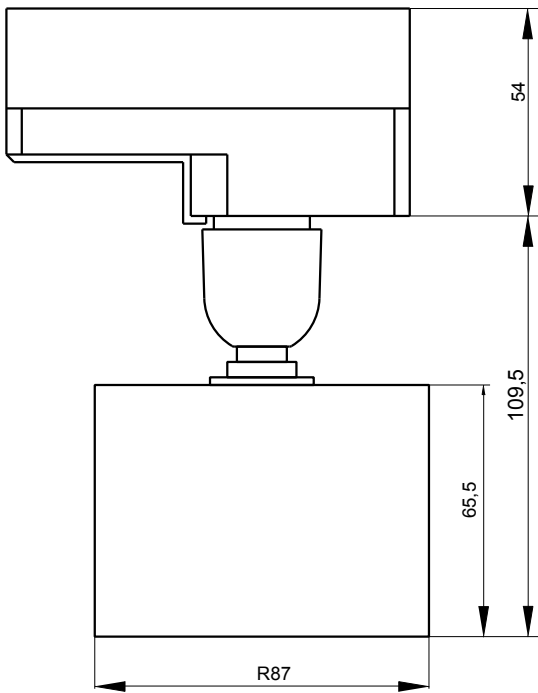
Manual control button and socket for programming the lamp parameters



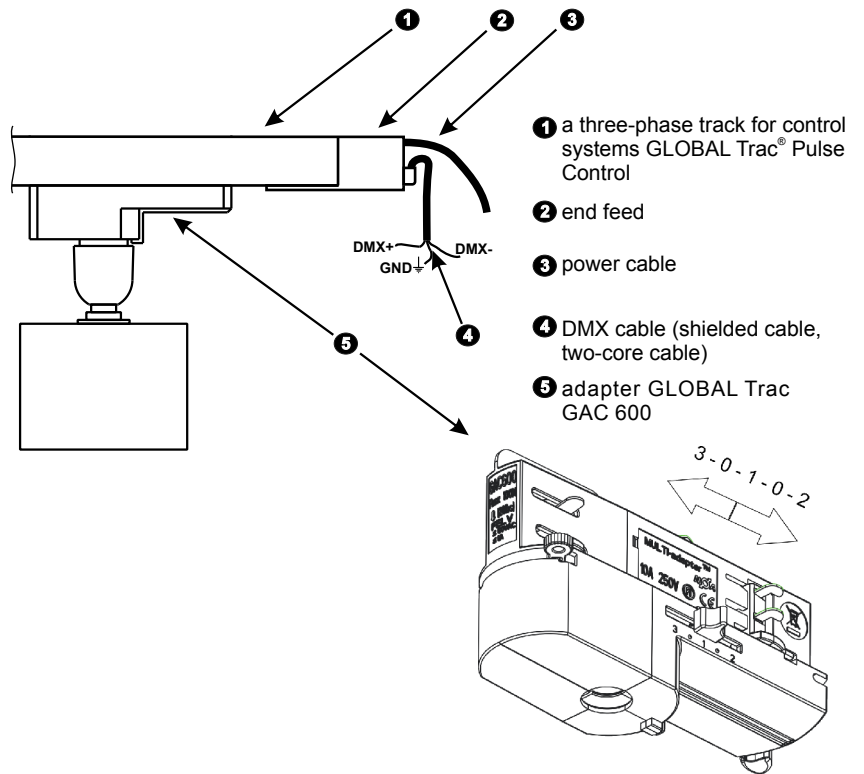
Smooth function:	YES
Number of control channels:	1 (brightness)
Fixing:	GLOBAL Trac® Pulse Control bus bar
Manual control:	YES
Signal control lamp DMX-512:	YES

Technical drawing

Connection scheme



Dimensions in millimetres



Light distribution

Parameters lights:

Beam angle

