



PxAqua 3 SH 12V

Product description

LED lamp PxAqua 3 SH 12V is designed for underwater lighting.

It can also be used to illuminate the interior or exterior architectural details.

The lamp uses three high-performance OSRAM Oslon LEDs. LEDs are available in white color, in 3 different color temperatures: cold white, warm white or neutral white. The PX284 may be provided with optics beam angles of 10°, 22° (standard) or 40°. The casing is made of stainless steel (316L).

The unit is supplied with a two-meter cable.

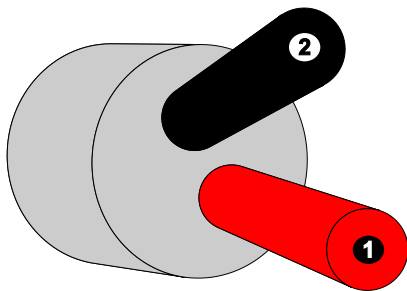
The PX284 can only be power supplied from 12V DC. It can be power supplied with a voltage LED driver or power supply. It also can be dimmed, when using voltage LED driver e.g. PX254 product.

Technical data

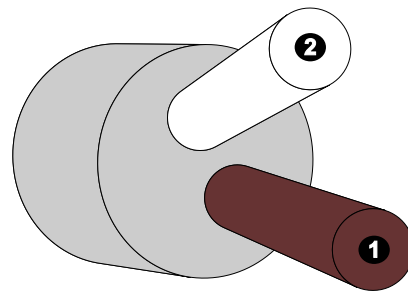
Type:	PX 284
Number of LEDs:	3
Power supply:	12 V DC
Current consumption:	350 mA
Ingress Protection Rating:	IP68
Casing material:	stainless steel (316L)
CRI:	≥ 80
Beam angles:	22° (typical), 10°, 40° (on request)
Available LED colors:	warm white, cool white, neutral white
Brightness (22° dist. 1 m.):	1120 lx
Weight:	0,51 kg
Dimensions:	diameter: 55.8 mm height: 33 mm height with the handle: 80 mm

Wires connection

Presented below are the possible colors of the wires used in the lamp. The cables should be connected as described. Lamps should only be connected parallel.

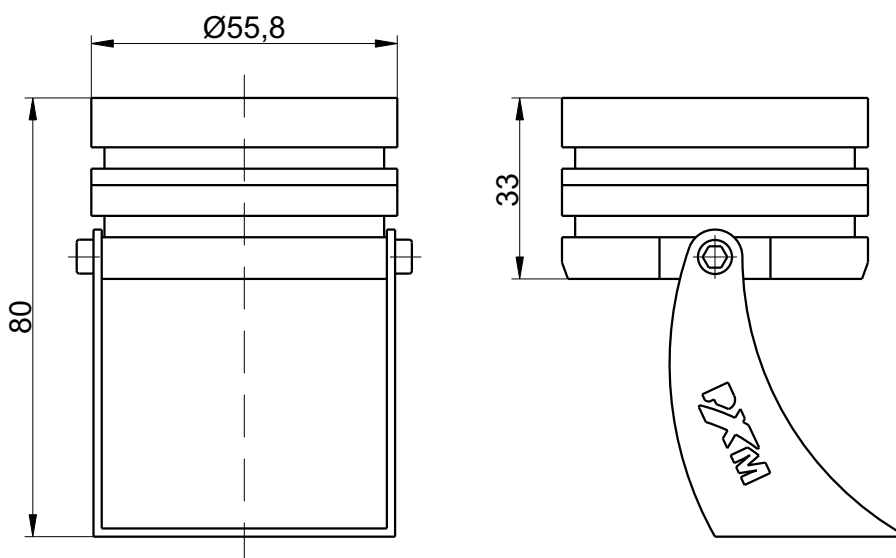


- ❶ + (red)
- ❷ - (black)



- ❶ + (brown)
- ❷ - (white)

Dimensions - technical drawing



Note!!!

When mounting the lamp, you need to leave enough space for cable gland, from which goes out the power cord.