

DMX/Relay Interface 8ch

Device description

PX257 is a device made in two versions: **8 Relay Module** and **Switch 8x1.3A OC**. It is used for switching on and off stage lighting and theatrical effects as well as architectural lighting equipment using the DMX-512 signal. The module incorporates a set of 8 relays that control on / off outputs.

The PX257 OC version is an 8-channel digital DC switch, featuring maximum single circuit switching load of 1.3A.

The device menu allows the user to program DMX addresses for all the output channels and to set characteristics for the purpose of controlling electric motors.

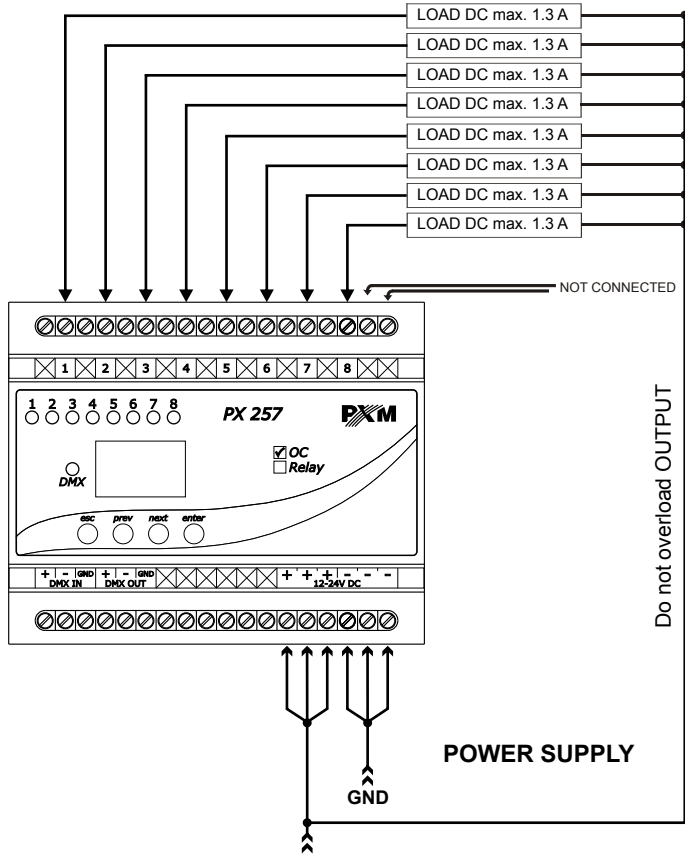
In both versions of the device is designed for mounting on standard DIN rails in electrical switchgear.

Technical data

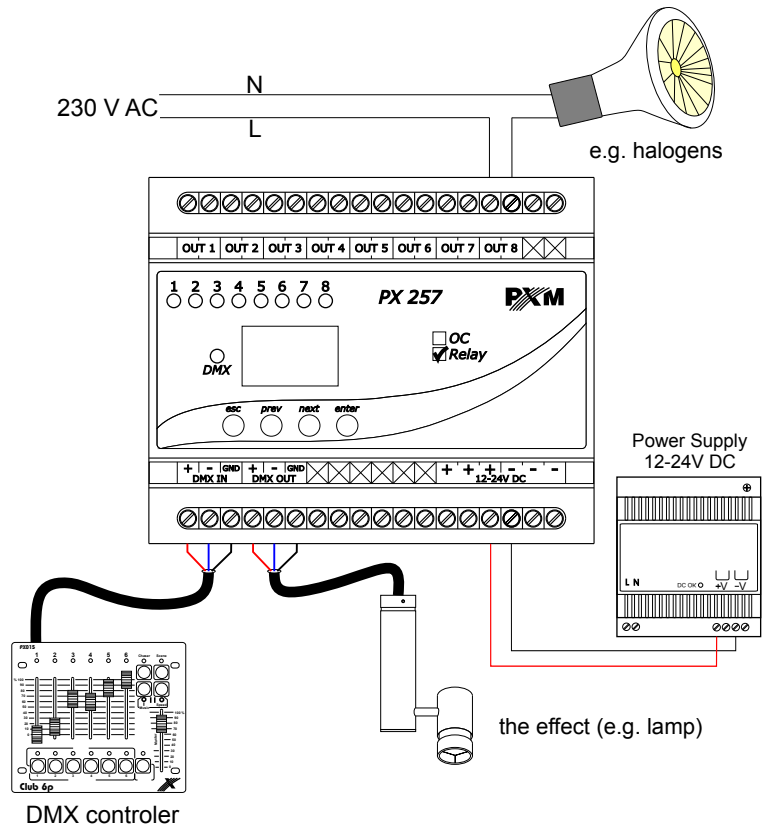
Type:	PX257
Number of DMX channels:	512
Power supply:	12-24 V DC
Current consumption:	130 mA for 24V DC 250 mA for 12V DC
Number of output channels:	8
Outputs load capacity (version RE):	
-resistive load	max. 2A, 250 V AC / channel
-resistive load	max. 2A, 24 V DC / channel
-inductive load	max. 0.5A, 250 V AC / channel
-inductive load	max. 0.5A, 24 V DC / channel
Max. switching frequency:	600 cycles/h (load rated AC)
Outputs load capacity (version OC):	max. 1.3A, 24 V DC / channel
Output sochets:	screw terminals
input / through DMX:	Yes
Dimensions:	length: 105 mm width: 60 mm height: 86 mm:

Connection scheme

a) version PX257 "OC"



b) version PX257 "Relay"



Technical drawing

