



### PiXiMo 18 LED driver 3x6A

## Product description

### LED Driver 3 x 6A with built-in DMX-512 receiver.

PX254 driver is designed to control the LEDs. Built-in DMX receiver allows to control 3 DMX channels (R, G, B) directly with the DMX protocol. Wide range of power supply voltage and high current carrying capacity outputs (6A) permit a control of large quantities of LEDs. What is more the PX254 has built-in fuses that can be replaced by the user by himself.

PX254 can be either controlled by DMX, and act independently. In this case, the user is offered a fully programmable scene and 18 pre-programmed sequences, which can also freely change the playback speed and fluidity changes in steps. By using 16-bit resolution control of each channel is completely smooth. In addition, the PX254 driver gained control mode called effect mode to control the programs built into the driver and the simultaneous change the settings of parameters such as speed, brightness and fade using DMX-512 signal sent from the external controller.

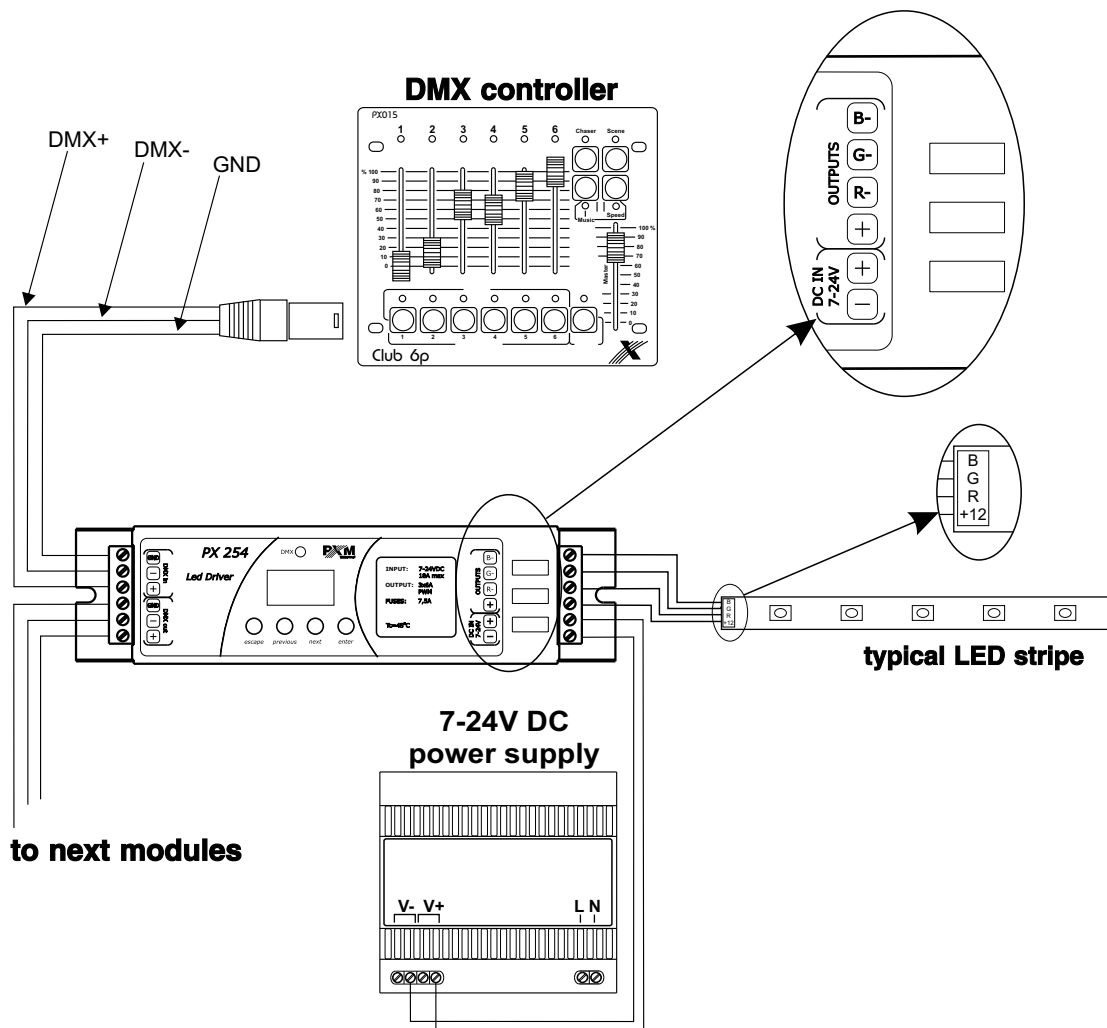
The driver has a built-in tuning frequency signal system ("flicker free" technology), which makes it particularly useful in applications for the television industry. The RGB LEDs often differ quite substantially in parameters, this can cause problems in obtaining a white color (at full power especially). Therefore PX254 comes with a very useful function called "white balance". Thanks to it you can choose color correction for each set of LEDs controlled by the device to achieve at full power the color white. What's more, this feature also allows you to adjust the color temperature of white color.

The PX254 is produced in common anode version - it allows LEDs connection on common anode.

## Technical data

Type	Px254
DMX Channels	512
Power Supply	7 - 24V DC
Total current consumption	Max. 18A
Current consumption without load	30 mA for 12 V DC 40 mA for 24 V DC
Number of output channels	3
Control accuracy	16 bit
Programmable Scene	1
Number of programs	18
Output Load	6A / channel
Output sockets	terminal blocks
Master / Slave mode	YES
Dimensions	Length: 175 mm Width: 42 mm Height: 27 mm

Connection diagram



Dimensions - technical drawing

