



PxAqua
12 B

Product description

Underwater 12-LED LAMP IP 68 with adjustable foot.

The PX 225 lamp is designed for underwater installations that require high brightness illumination. When connected to an external driver it enables a full spectrum of 16 mln (theoretically) colors.

Applied high-quality Luxeon Rebel LEDs provide bright light with low power consumption.

When purchasing lamps customer can choose the appropriate beam angle lenses and LEDs color to be installed, which makes it possible to adapt the device to the customer needs. The lamp is mainly used in lighting of pools, fountains, garden elements and building facades.

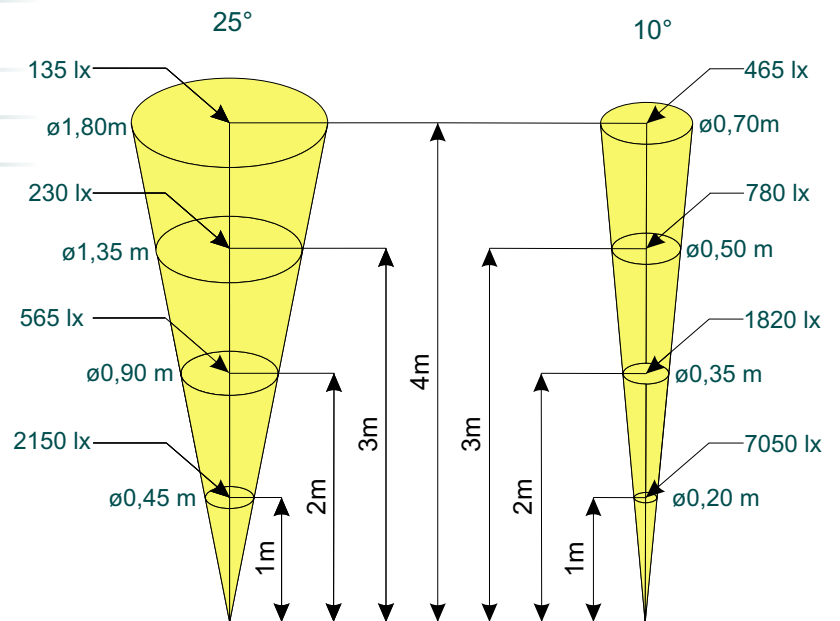
The casing is made of bronze, which gives it its proper weight and protects against harmful external conditions, and a specially made handle eases installation.

Technical data

Type	PX 225
Number of LEDs	12
Available LEDs colors	RBG, RGBW
International Protection Rating	IP 68
Casing material	Bronze
Weight	4 kg
Dimensions	Diameter: 147 mm Overall lamp height: 170 mm

Light Parameters:

Beam angle

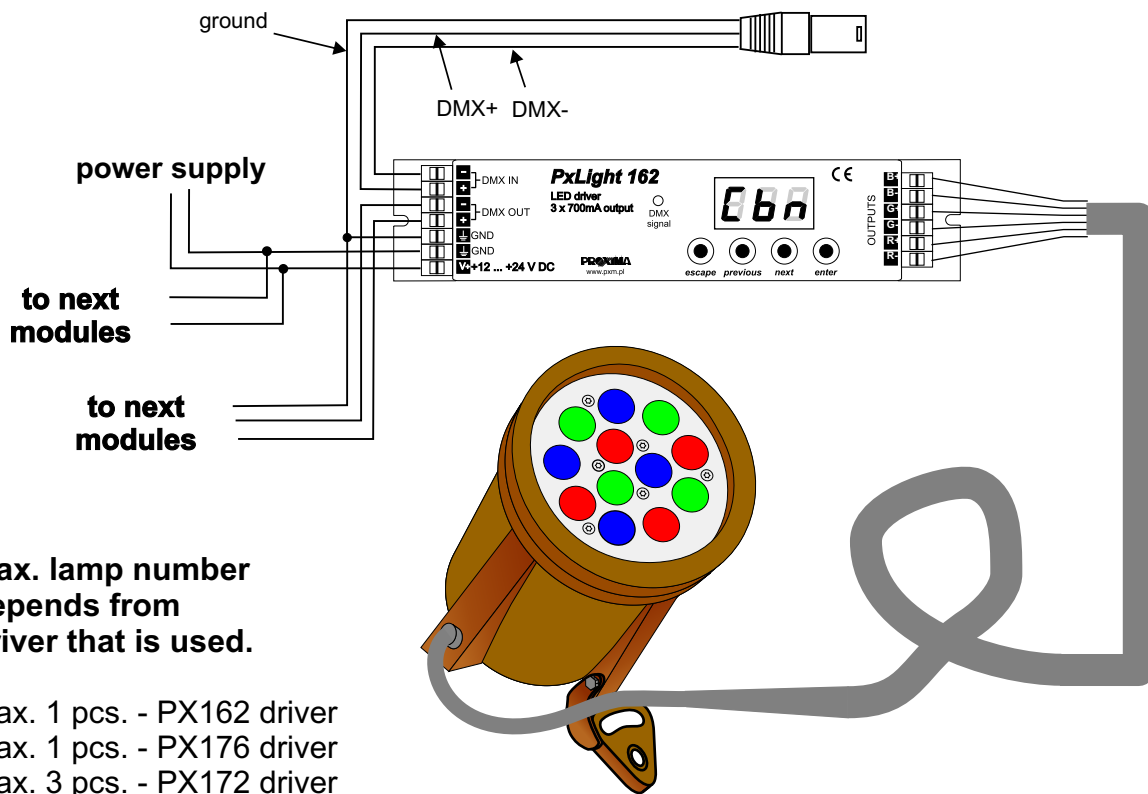


Connection diagram

The lamp connection is made via a 6-conductor wire, such as shown in the figure below.

Sample connection of the PX 225 to the driver PxLight PX162.
The cables have to be connected in the correct order of colors.

Selection of the driver determines the power achieved by a single diode (drivers with 350 mA - approx. 1,1 W, and the 700 mA - approx. 2,7 W).



Max. lamp number depends from driver that is used.

- max. 1 pcs. - PX162 driver
- max. 1 pcs. - PX176 driver
- max. 3 pcs. - PX172 driver

Dimensions - technical drawing

