



PxAqua
18 B

Product description

Underwater 18-LED LAMP IP 68 with adjustable handle.

The PX 224 lamp is designed for underwater installations that require high brightness illumination. When connected to an external controller enables a full spectrum of 16 mln (theoretically) colors.

Applied high-quality Luxeon Rebel LEDs provide bright light with low power consumption.

When purchasing lamps customer can choose the appropriate beam angle lenses and LEDs color to be installed, which makes it possible to adapt the device to the customer needs. The lamp is mainly used in lighting of pools, fountains, garden elements and building facades.

The casing is made of bronze, which gives it its proper weight and protects against harmful external conditions, and a specially made handle eases installation..

Technical data

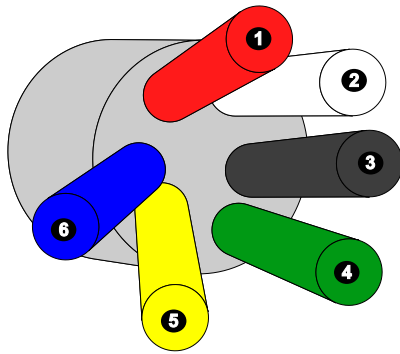
Type	PX 224
Number of LEDs	18
Casing material	Bronze
International Protection Rating	IP 68
Weight	5 kg
Dimensions	Diameter: 220 mm Housing height: 120 mm Height with foot: 150 mm

Connection diagram

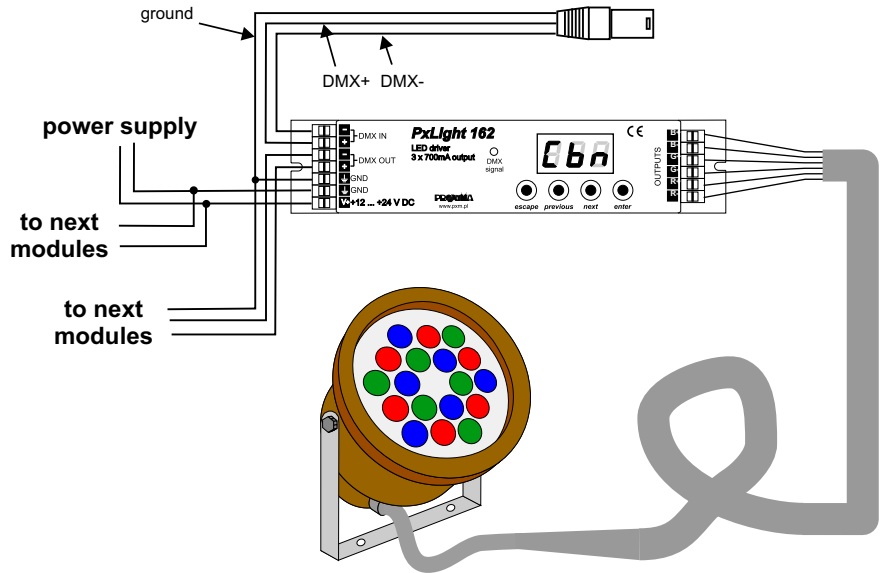
The lamp connection is made via a 6-conductor wire, such as shown in the figure below.

Sample connection of the PX 224 to the driver PxLight PX162.
The cables have to be connected in the correct order of colors.

Selection of the driver determines the power achieved by a single diode (drivers with 350 mA - approx. 1,1 W, and the 700 mA - approx. 2,7 W).



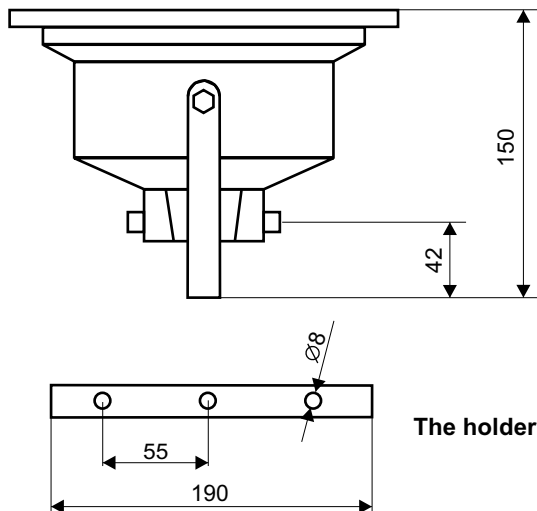
- ❶ RED + (red wire)
- ❷ RED - (white wire)
- ❸ GREEN - (gray wire)
- ❹ GREEN + (green wire)
- ❺ BLUE - (yellow wire)
- ❻ BLUE + (blue wire)



Max. lamp number depends from driver that is used.

- max. 1 pcs. - PX176 driver
- max. 2 pcs. - PX172 driver
- max. 2 pcs. - PX184 driver

Dimensions - technical drawing



The holder (top view)

