



PxAqua
6 B

Product description

Underwater 6-LED LAMP IP 68 with adjustable foot.

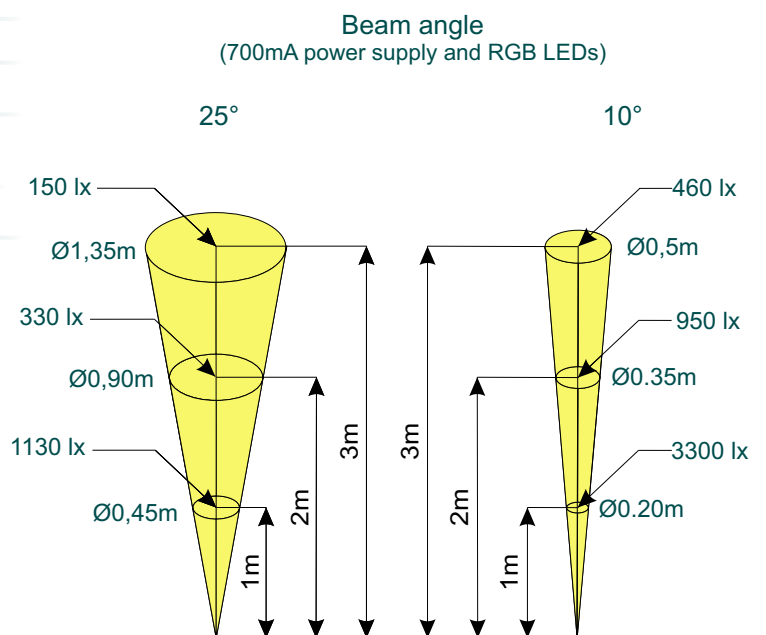
The PX 223 lamp is designed to be installed underwater. It allows a full spectrum of 16 mln (theoretically) colors when connected to an external controller. The use of high-quality Luxeon Rebel LEDs provides bright light with low power consumption.

When purchasing lamps customer can choose the appropriate beam angle of lenses and color LEDs to be installed. This allows to adapt the device to the specific conditions. The lamp is designed for lighting of pools, fountains, ponds, garden items, and building facades.

The casing is made of bronze, which protects against harmful external conditions. A specially made adjustable foot simplifies installation.

Technical data

Type	PX 223
Number of LEDs	6
Casing material	Bronze
International Protection Rating	IP 68
Weight	1,6 kg
Dimensions	Diameter: 100 mm Housing Height: 82 mm Height with foot: 92 mm



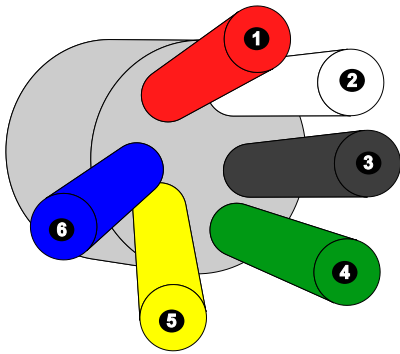
Connection diagram

The lamp connection is made via a 6-wire cable, such as shown in the figure below.

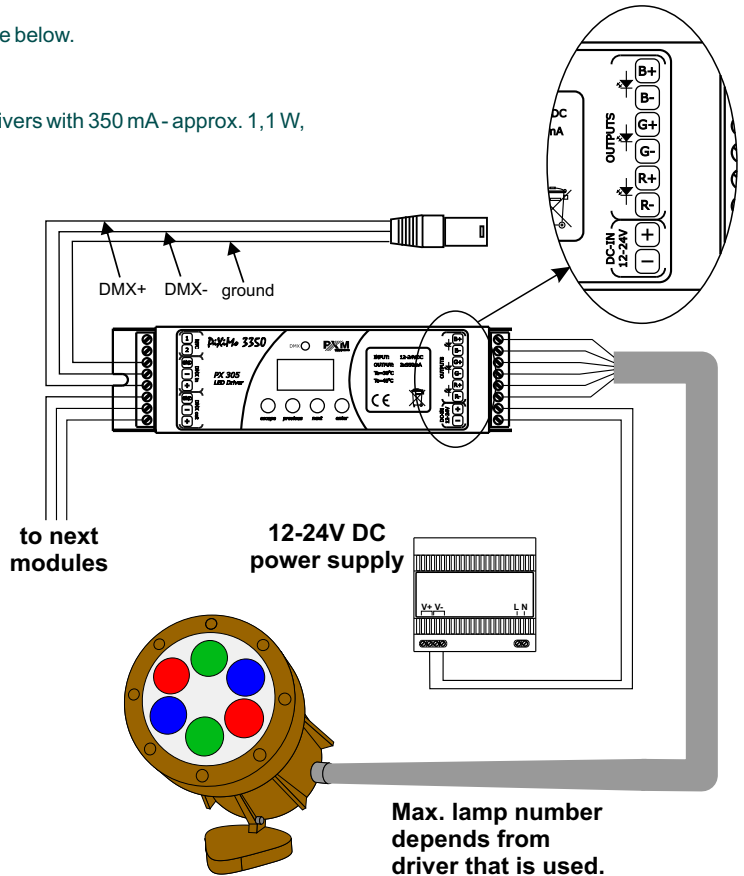
Sample connection of the PX 223 to the driver PX305.

The wires have to be connected in the correct order of colors.

Selection of the driver determines the power achieved by a single diode (drivers with 350 mA - approx. 1,1 W, and the 700 mA - approx. 2,7 W).



- 1 RED + (red wire)
- 2 RED - (white wire)
- 3 GREEN - (gray wire)
- 4 GREEN + (green wire)
- 5 BLUE - (yellow wire)
- 6 BLUE + (blue wire)



Max. lamp number depends from driver that is used.

max. 3 pcs. - PX162 driver
max. 3 pcs. - PX305 driver

Dimensions - technical drawing

