



Touch Panel

Product description

Touch Panel PX 181 can be used for playback of programs stored advanced management in the PX140 controller.

The PX 181 is a color (65,000 colors) LCD display, which is designed to manage lighting control programs programmed into the PX140 controller. Featuring high resolution and full color 5.7" screen is visually attractive, and the front frame design adapts to a modern machine design.

The prior drivers used to have classic and limited number of keys with some number assigned functions, while desktop touch screen makes it possible to place any number of keys, settings and describing of their appearance. In addition, all settings can be freely changed depending on the configuration.

An important advantage is the ability to self-design and easy upload of prepared graphics or images into the PX181, using a special free program created by PXM company. This software comes on CD in product box or can be downloaded from our website.

The appearance of the touch panel can be customized by the user. A variety of background graphics, buttons, sliders can be uploaded to it in the form of graphic files, which contain the company logo, pictures of rooms or floors of a building schemes, making the system the individual character and will be easier to use. In addition, access to every creature the appearance of the panel can be password protected.

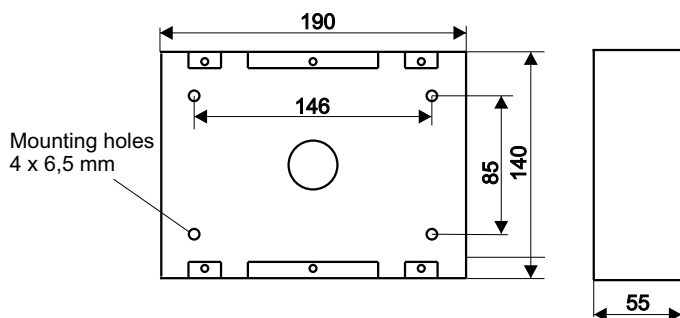
Technical data

Type	PX 181 Touch Panel
Power supply	12V DC (Conductor cross section min. 0.5 mm ²)
Max. power consumption	4W
Housing Faceplate	Steel, Anodized aluminum
Weight	1,2 kg
Screen size	5,7"
Connection the PX140	RS 485 LAPP UNITRONIC® LiYCY (TP) pair 2 x 2 x 0,14

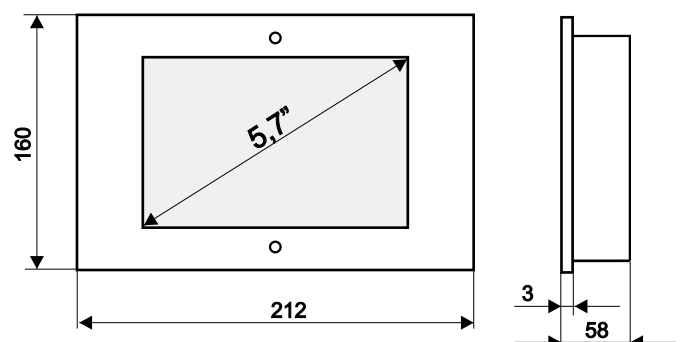


The device consists of a flush mounting box and the front frame that is screwed to the box with two screws.

Dimensions of the panel casing box



Dimensions



The configuration program

During preparation of the configuration, the panel do not need to be connected to a computer, because the design can be stored and it might be uploaded at any time. Uploading is done through a USB port placed underneath a front frame of the device which is mounted on two screws.

Each element is assigned to a specific action programmed in the PX140 controller.

Text in the form of messages and notes on the screen of the PX 181, can serve as a description or an active element.

Pop-up menu inducing events in the PX140 controller

The application allows you to upload your own images and graphics that you can use to create your own views of the panel as: background, buttons, sliders, or links. Additionally, you can edit the size, color and location (move, align or snap to grid).

Sample views of the panel screen

