



PxSpot 3

Product description

PxSpot 3 LED lamp designed to illuminate the interior and architectural details.

Moreover, it can be used for the stage lighting.

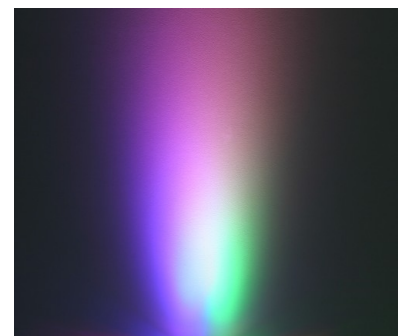
The lamp consists of three high power LEDs 1W each, mounted on a heat sink protecting it from overheating. It can be equipped with different beam angles of illumination.

Optionally product can be also appointed with LEDs of other colors. It have to be controlled with a LED driver with 350mA output current, which enables simultaneous connections (depending on the version) up to 12 such lamps. PX167 LED lamp is made in the version with the handle.

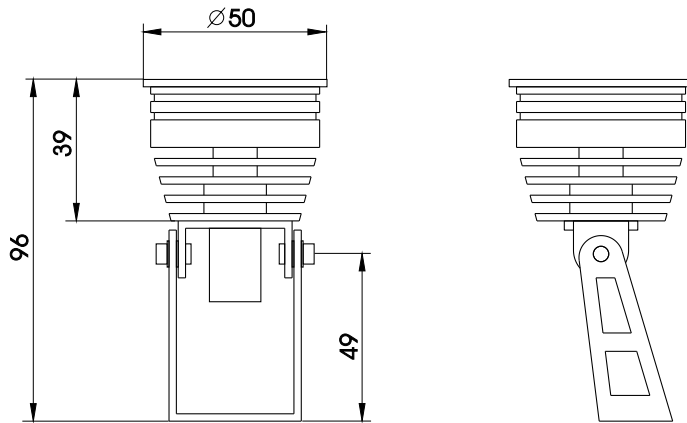
It is designated only for installation inside of buildings.

Technical data

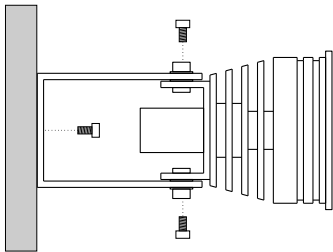
Type	PX 167
Power supply	3 x 350 mA
Beam angles	25° (typical) 10° / 45° (on request)
Brightness (for 30° lens in distance 1 m)	about 250 lux
The number of possible color	16 million (in theory)
Dimensions:	Diameter: 50 mm Height: 96 mm



Dimensions - technical drawing



Method of mounting



The lamp attaches to the bracket with two M4 screws, this allows movement in a vertical plane.
The handle is fixed to the wall with one M5 screw, which in turn makes it possible to move the PX167 in the horizontal plane

Connection diagram

Sample connection of the PX167 to a PX172 driver.

The cables should be connected in the correct order of colors. Full blue wire to terminal B + blue with white stripe to terminal B-. Analogously green wire (terminal G) and orange (terminals R).

LEDs should be connected only in series. Number of LED lamps depends on the driver and power supply.

