



DMX-MP3 Player

Product description

MP3 player controlled by DMX-512 protocol

PX154 DMX-MP3 Player is a device, that allows to play the compressed audio files mp3 MPEG I, II-Layer 3, controlled with the DMX-512 protocol or directly, with the keys placed on the device's front panel. You can place up to 26 tracks on the SD/MMC memory card.

The module can co-operate with the DMX devices in two modes: taking up four or seven DMX channels, in the first case the tone equalizer adjusted with the DMX controller is unavailable.

The player can be connected to the PC computer through the built-in USB port, that allows to transfer the mp3 files from the computer to the SD/MMC card and vice versa. The device is identified as a removable disc then.

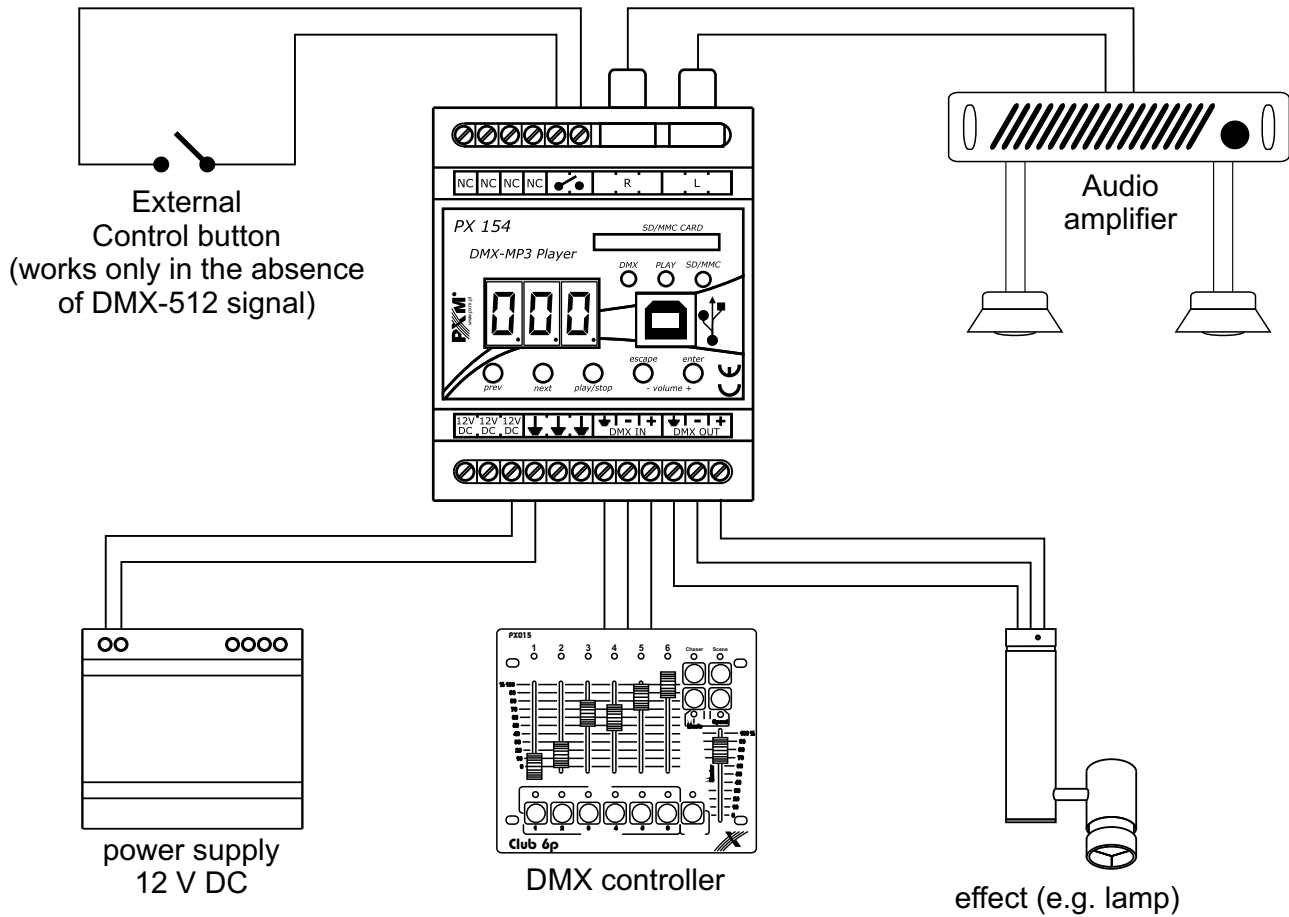
The features supported by the PX154 DMX-MP3 Player allow to play the tracks, choose a particular tune, loop one or all tracks, adjust the volume in a 32-grades scale, adjust the equalizer of high, medium and low tones and to set the DMX address.

The device is manufactured in a casing for DIN rails mounting.

Technical data

Type	PX 154
Power supply	12V DC
Control protocol	DMX-512
DMX channels	4
Supported File Formats	Mp3 MPEG I, II - layer 3
Supported sampling frequencies	44.1 kHz
Supported media data	SD/MMC cards
The output stage power preamplifier	30mW (R = 32 Ohm) in class AB P0
Total current consumption	Max.200 mA
Dimensions	Width: 70 mm Height 86 mm Depth: 60 mm

Connection diagram



Dimensions - technical drawing

