



Device description

The PX854 driver is designed for current-based control of LEDs. The built-in DMX receiver allows for control of 1 – 4 channels.

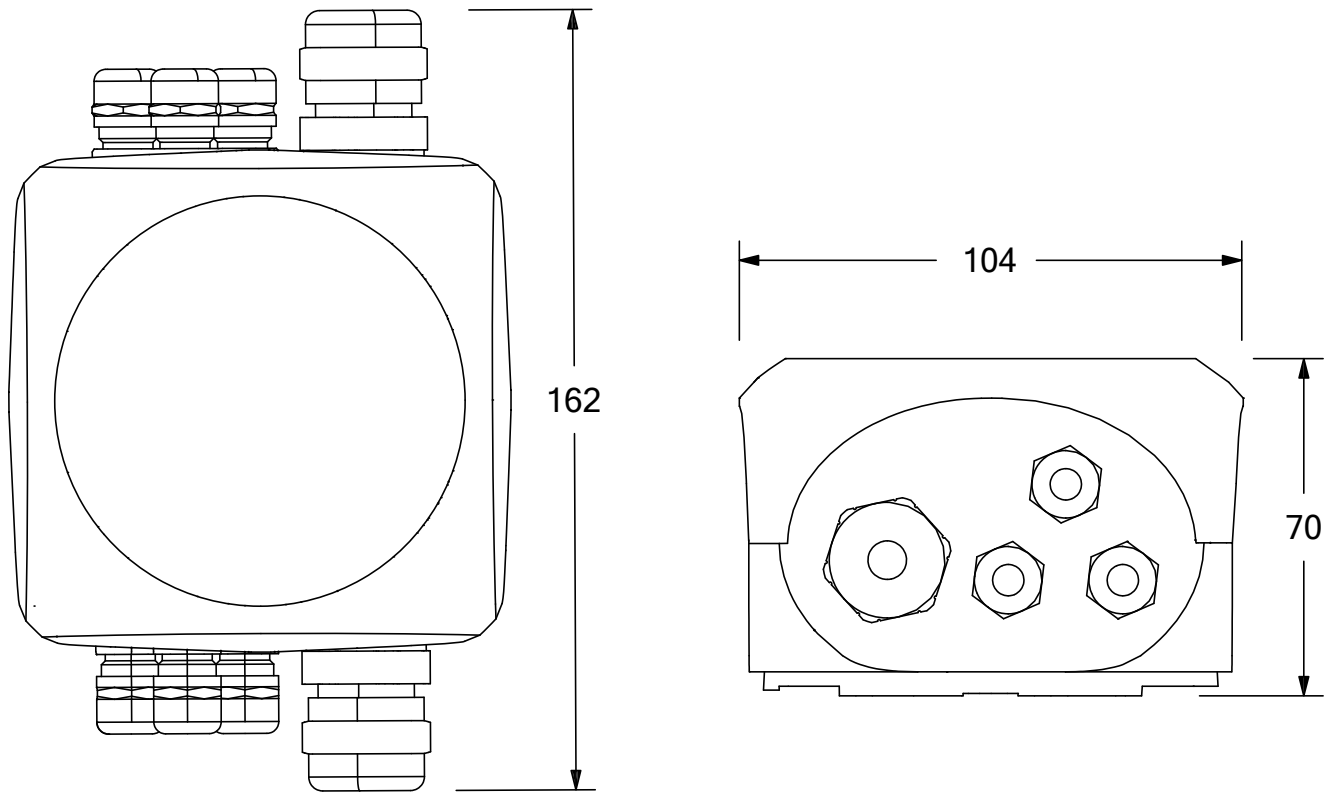
The device is housed in an IP65-rated housing and is programmed exclusively via the RDM protocol.

The PX854 can be controlled either by DMX or standalone. In this case, the user has access to a fully programmable scene and a pre-programmed sequence. Thanks to the 16-bit resolution, parameter control at a PWM frequency of 1.5 – 24kHz for individual channels is completely seamless.

The driver features a built-in frequency tuning system for the control signal (*flicker-free* technology), making it particularly suitable for use in the television industry.

Because RGB / RGBW LEDs often vary significantly in their parameters, this can cause problems with achieving a white color (all channels are 100% driven). Therefore, the PX854 is equipped with an extremely useful white balance function. This feature allows you to adjust the module's color control for each set of LEDs to achieve white at full output. Furthermore, this function also allows you to adjust the color temperature of the white color.

Connecting 350mA diodes	
Power supply	Number of diodes on one channel
12V DC	1 – 3
24V DC	4 – 6

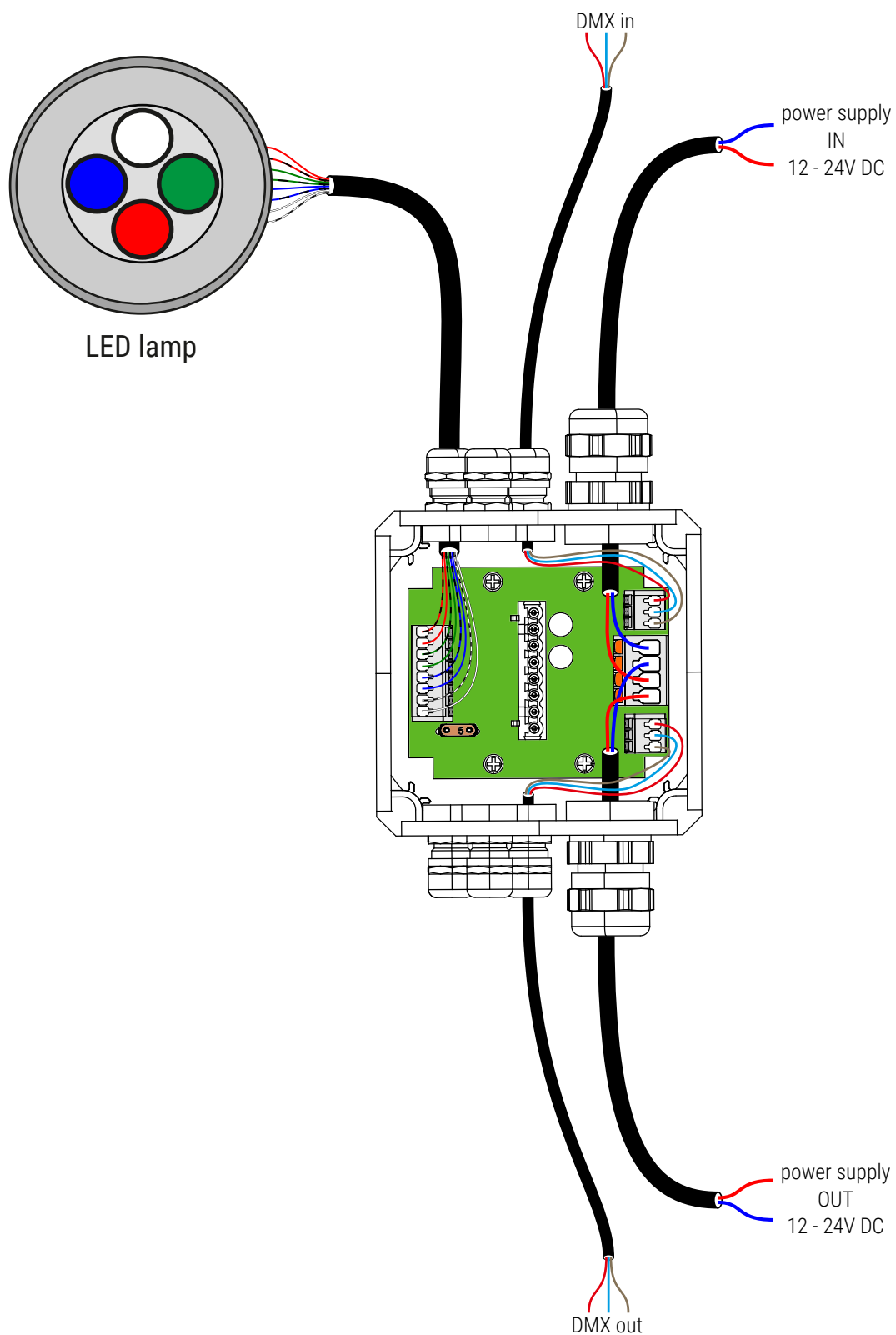


Cable diameter:

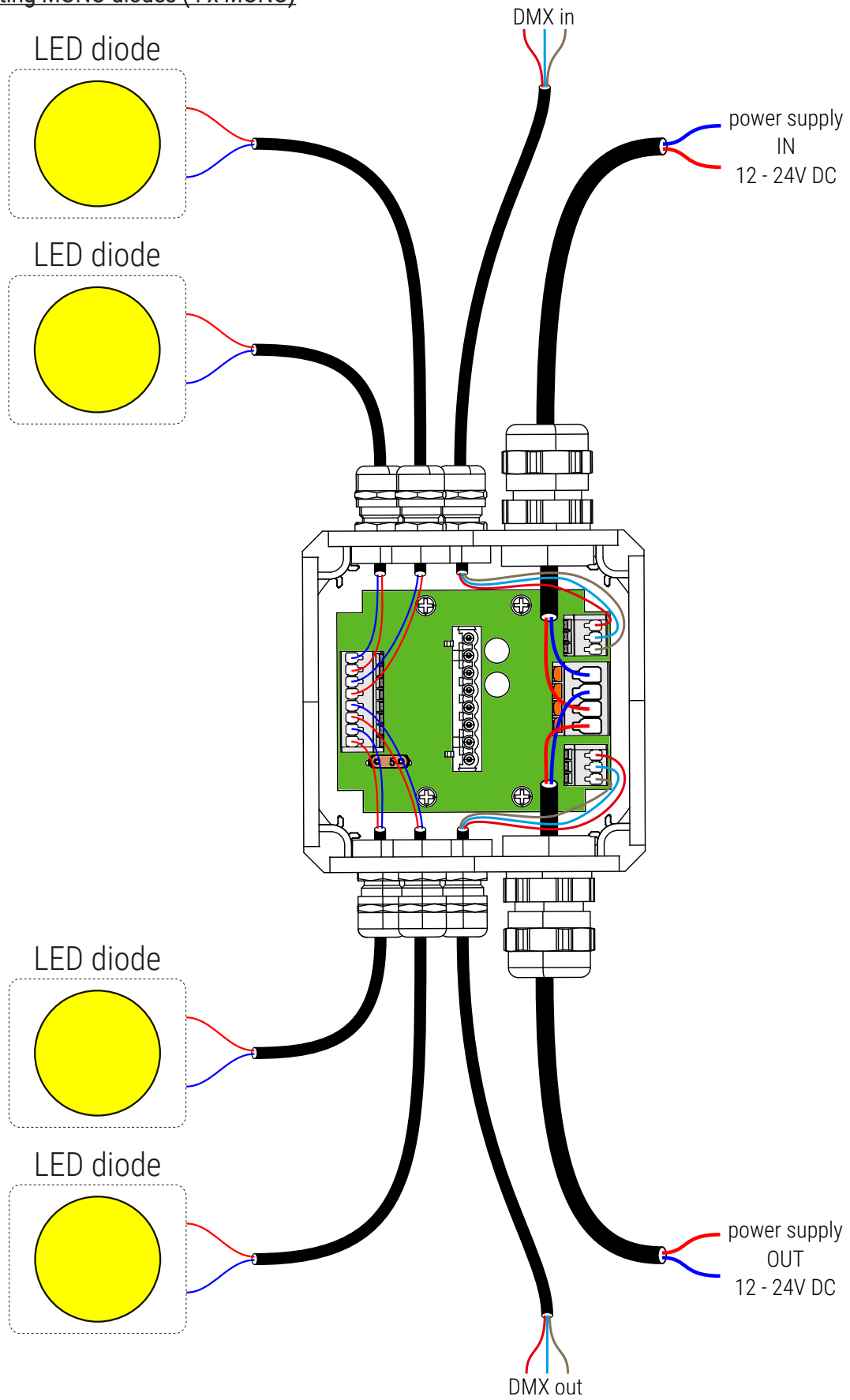
- power cable: 6 – 12mm
- DMX cable: 3.5 – 7mm
- lamp / LED power cable: 3.5 – 7mm

Connection diagram

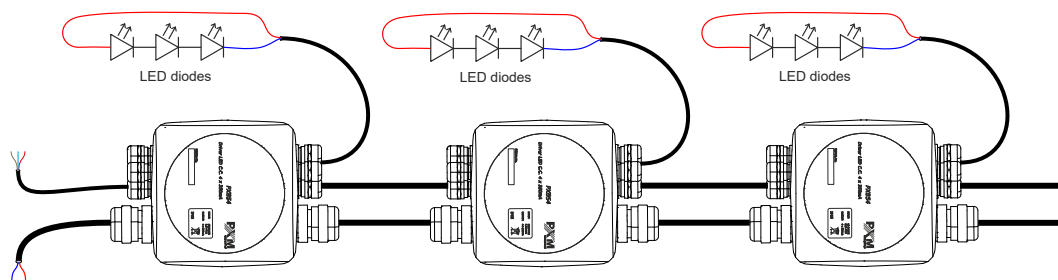
Connecting the RGBW lamp



Connecting MONO diodes (4 x MONO)



The device can be connected to each other



NOTE! In the example connection above, there can be up to 10 devices.

NOTE! A cylindrical plug should be placed in unused bushings and then the bushing should be closed to maintain the tightness of the housing.

Technical data

type	PX854
tightness class	IP65
DMX channels	512
RDM protocol support	yes
number of output channels	1 – 4
interpolated output control resolution	16 bit
PWM frequency	1.5 – 24kHz
programmable scenes	1
built-in programs	1
programming	only RDM
output load capacity	4 x 350mA
Master / Slave mode	yes
power consumption	max. 35W
no-load power consumption	max. 2W
housing	plastic – ASA
power supply	12 – 24V DC
weight	0.3kg
dimensions	height: 162mm width: 104mm depth: 70mm