



DATA SHEET

PX810-T

PxArt+ XL Frame DALI

Device description

PxArt+ Frame DALI is a professional cropping LED illuminator for the lighting of museums exhibitions or trade fair displays.

The precision cropping system allows to control the luminous flux and adjust the illumination range to the size and position of the displayed object.

Thanks to the application of the latest semiconductor COB type SSL LED light source and advanced control electronics, a high performance illuminator was made, which fulfills very high demands concerning museum exhibition and trade display lighting applications. Its most important advantages include the possibility of precise cropping of the displayed objects, total lack of ultraviolet radiation emission, traces of infrared radiation, very high color rendering index (CRI), and very large brightness at low energy consumption.

The device has a handle that allows it to be mounted to GLOBAL Trac® Pulse Control bus-bars with an integrated power supply and DALI signal receiver. The individual DALI address assigned to each lamp allows you to adjust its brightness, regardless of the settings of the other lamps.

The lamp uses a highly efficient LED diode, thanks to which the lamp emits a small amount of heat.

The lamp housing allows to change the lighting direction in two axes.

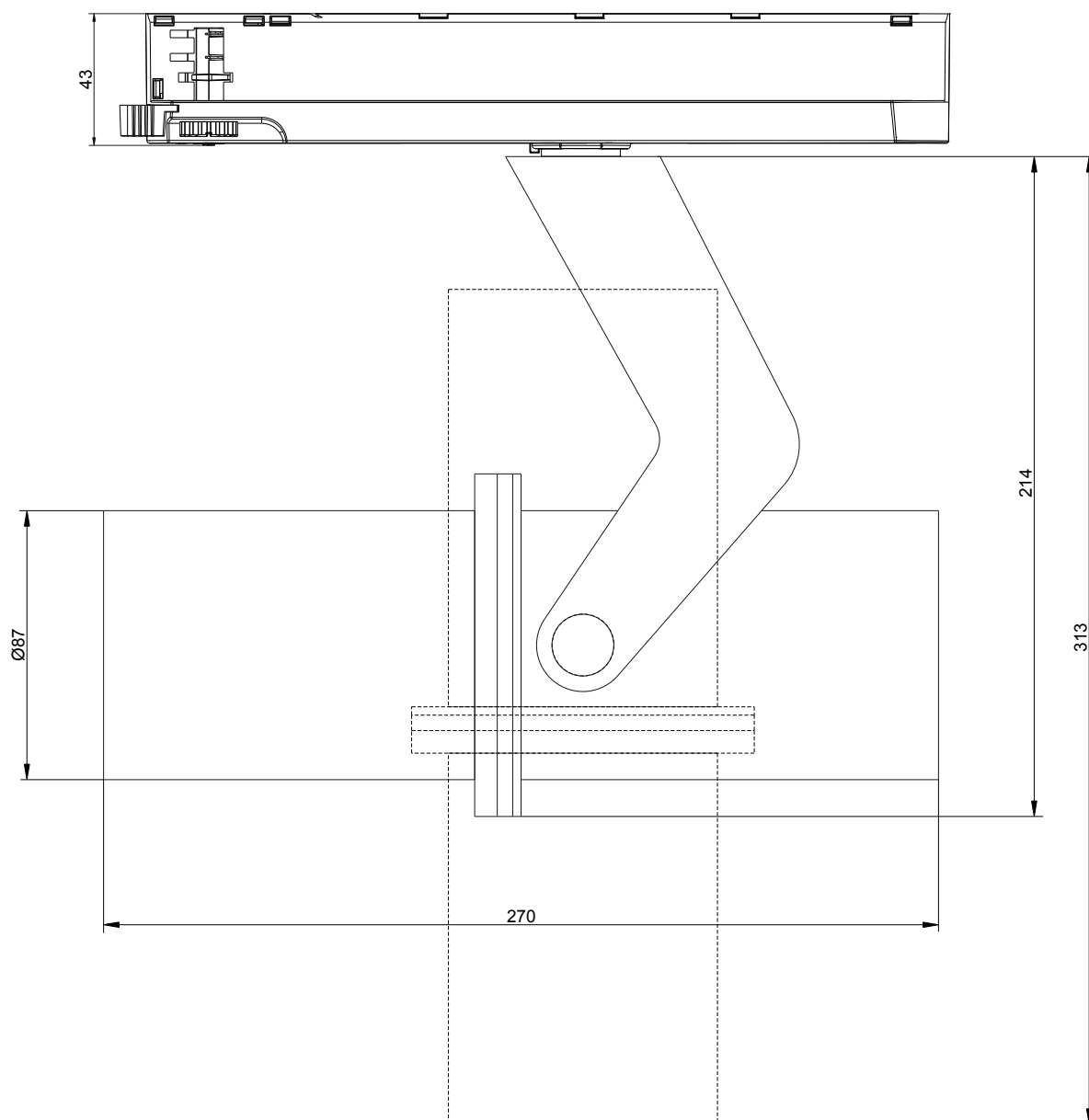
Models available

Below is a description of the PX 810-T model designations with their explanation :

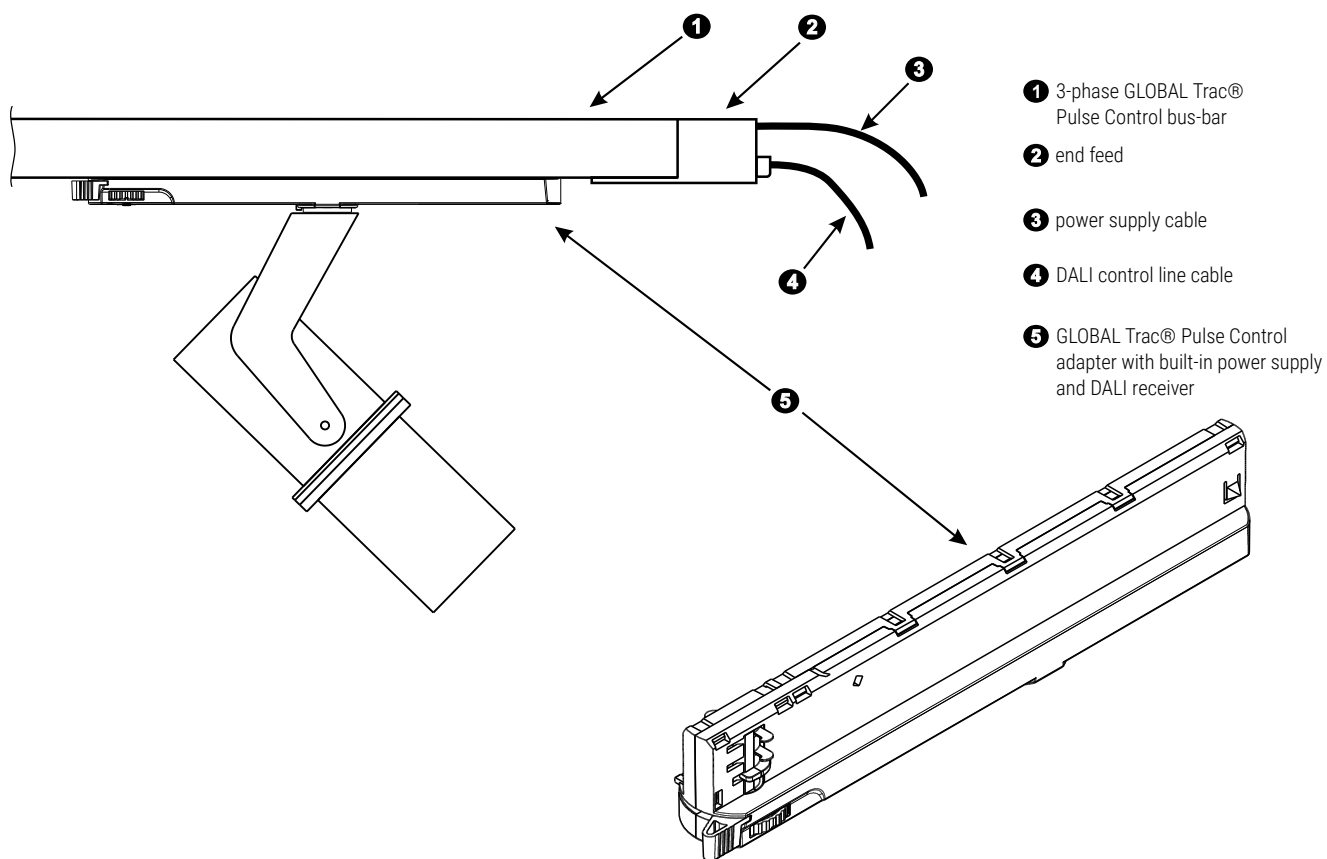
PX810-T – BB – YYY – Z

<u>BB – version</u>	<u>YYY – CRI and color temperature:</u>	<u>Z – housing colors:</u>
XL – large COB	X30 – CRI 95, temp. 3000K	3 – white
	930 – CRI 90, temp. 3000K	
	950 – CRI 90, temp. 5000K	
	830 – CRI 85, temp. 3000K	
	850 – CRI 85, temp. 5000K	

Technical drawing



Connection diagram



Technical data

type	PX810-T
power supply	230V AC
number of LEDs	1 (COB)
power	27W
PF (power factor)	0.94
total luminous flux	PX810-T_XL_930: 610lm (maximum crop area – square)
max. increase of the housing temperature	+50°C
color rendering index CRI	min. 80
lifetime of diode	50 000h
cropping area	max. 1.35 x 1.35m (at distance 3m)
brightness adjustment range	0.2 – 100%
control	DALI
available housing colors	white
mounting	GLOBAL Trac® Pulse Control
weight	1.9kg
dimensions	width: 270mm for the horizontal headlight height: 313mm diameter of the reflector: 87mm