



DATA SHEET
PX806-T
PxArt+ XL
Technical Track

Device description

PX806-T is a professional LED illuminator.

By using semiconductor light sources SSL LED COB type, a high-class illuminator has been created. Its most advantages include the total lack of ultraviolet radiation, trace amounts of infrared radiation, very high CRI color rendering index, high brightness and low energy consumption.

The device has a handle that allows it to be mounted to GLOBAL Trac® Pulse Control bus-bars with an integrated power supply. The lamp starts with the appearance of voltage on the track – on / off operation.

The lamp uses a highly efficient LED diode, thanks to which the lamp emits a small amount of heat.

The lamp housing allows to change the lighting direction in two axes.

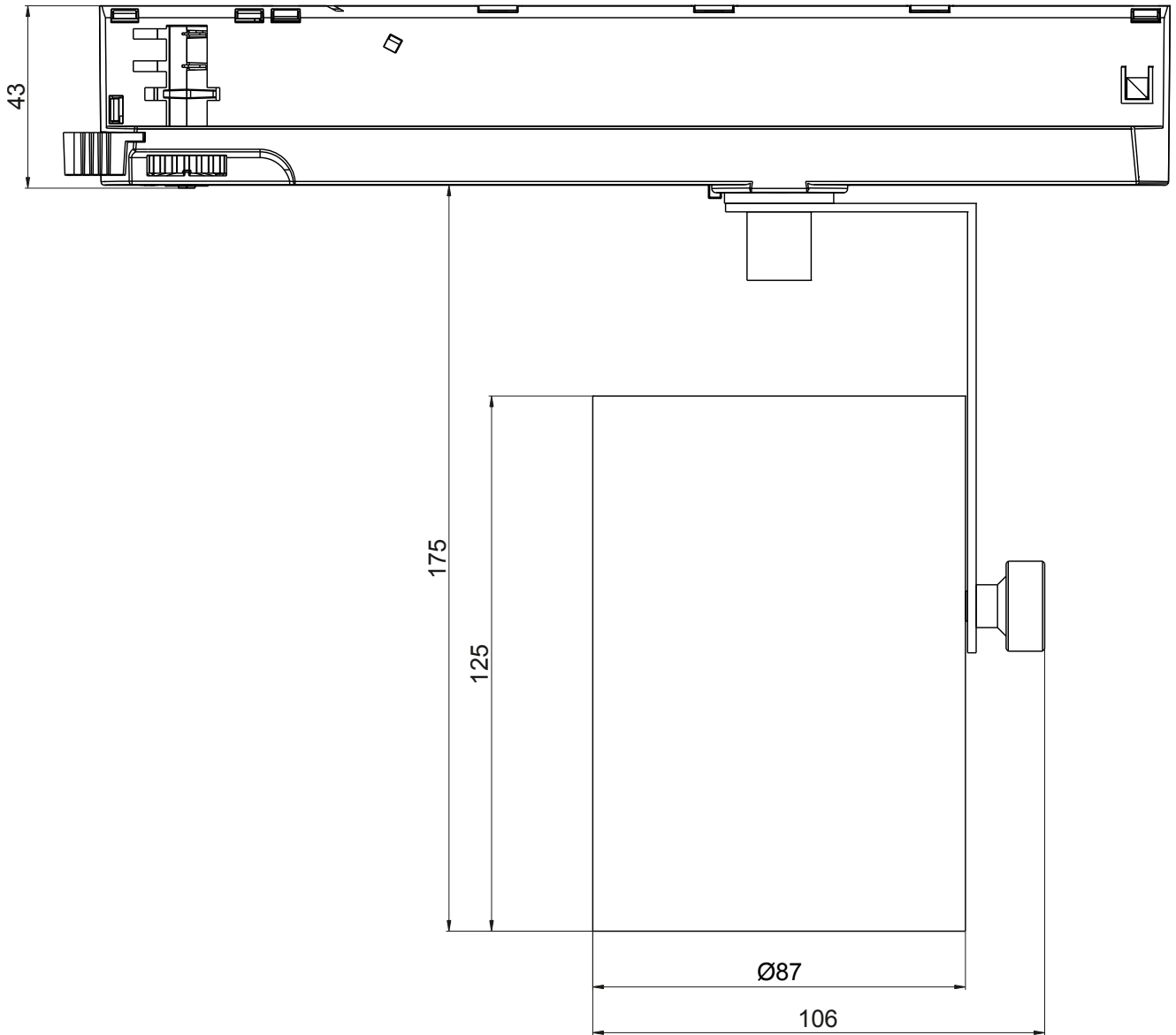
It is possible to buy a honeycomb separately, in addition, the user can replace the reflector on his own.

Models available

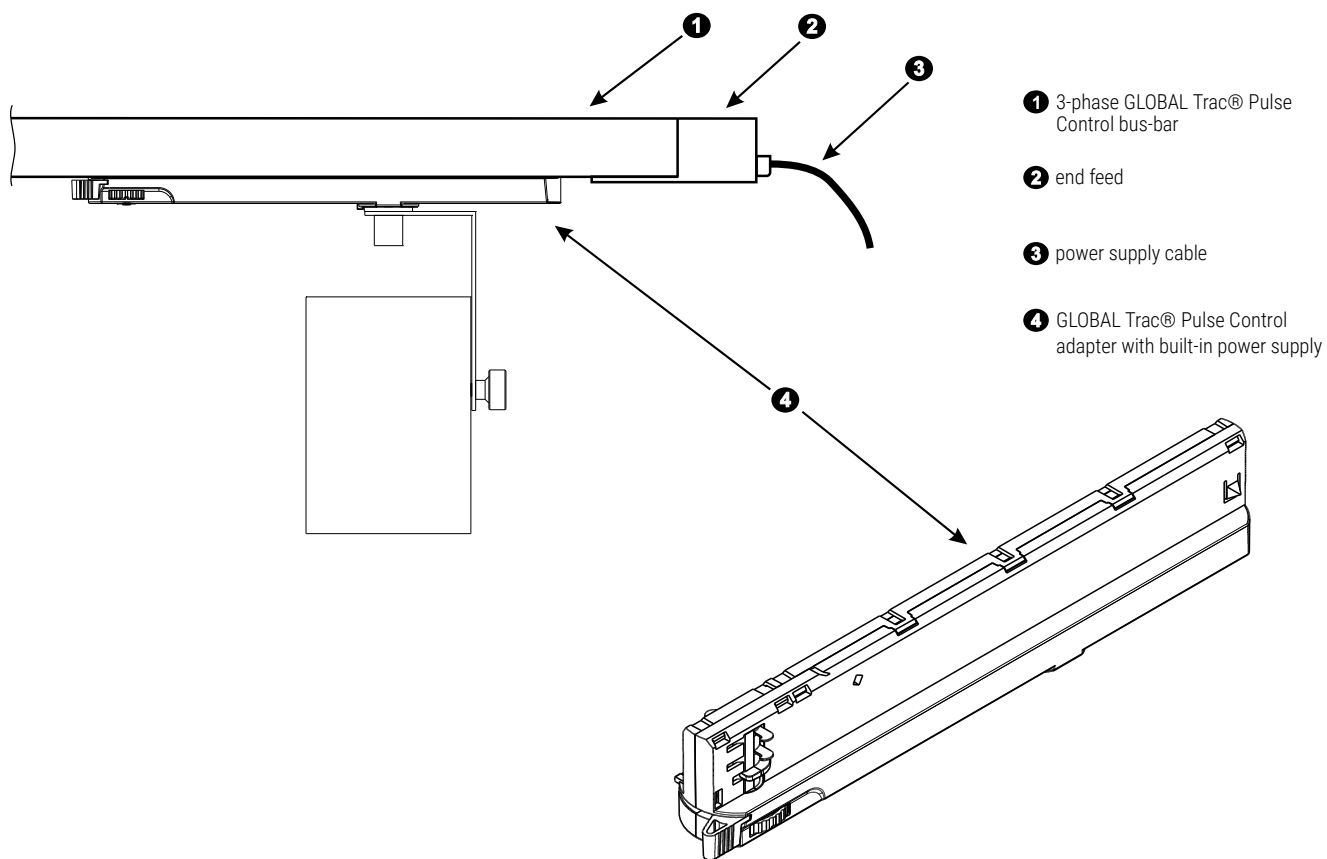
Below is a description of the PX806-T model designations with their explanation:

PX806-T – BB – XX – YYY – Z

<u>BB – version:</u>	<u>XX – reflector angle:</u>	<u>YYY – CRI and color temperature:</u>	<u>Z – housing colors:</u>
XL – large COB	15 – 15°	X30 – CRI 95, temp. 3000K	3 – white
	36 – 36°	930 – CRI 90, temp. 3000K	
	51 – 51°	950 – CRI 90, temp. 5000K	
		830 – CRI 80, temp. 3000K	
		850 – CRI 80, temp. 5000K	



Connection diagram



Technical data

type	PX806-T
power supply	230V AC
number of LEDs	1 (COB)
power	26W
total luminous flux	PX806-T-XL-15-930: 2195lm PX806-T-XL-36-930: 2175lm PX806-T-XL-51-930: 2209lm
PF (power factor)	0,94
max. increase of the housing temperature	+50°C
color rendering index CRI	min. 80
lifetime of diodes	50000h
reflector angles	15°, 36°, 51°
mounting	GLOBAL Trac® Pulse Control
available housing colors	white
weight	0.8kg
dimensions	width: 106mm height: 175mm diameter: 87mm