



Device description

PX803-W is a professional LED illuminator designed to illuminate museum or exhibition displays.

By using semiconductor light sources SSL LED COB type and advanced control electronics, a high-class illuminator has been created that meets very high requirements concerning museum and exposition lighting. Its most advantages include the total lack of ultraviolet radiation, trace amounts of infrared radiation, very high CRI color rendering index, high brightness and low energy consumption. Modern electronics allowed to create a lamp that is devoid of the effect of "light vibration" (*flicker free* technology) in the full control range, which makes it useful in the television industry.

The device has a handle that allows it to be mounted directly to the wall.

An individual address assigned to each lamp allows to adjust its brightness independently of the settings of other lamps. Thanks to the button placed on the housing, it can also be manually controlled.

The lamp uses a highly efficient LED diode and an effective control system, thanks to which the lamp emits a small amount of heat.

The lamp housing allows to change the lighting direction in two axes.

It is possible to buy a honeycomb separately, in addition, the user can replace the reflector on his own.

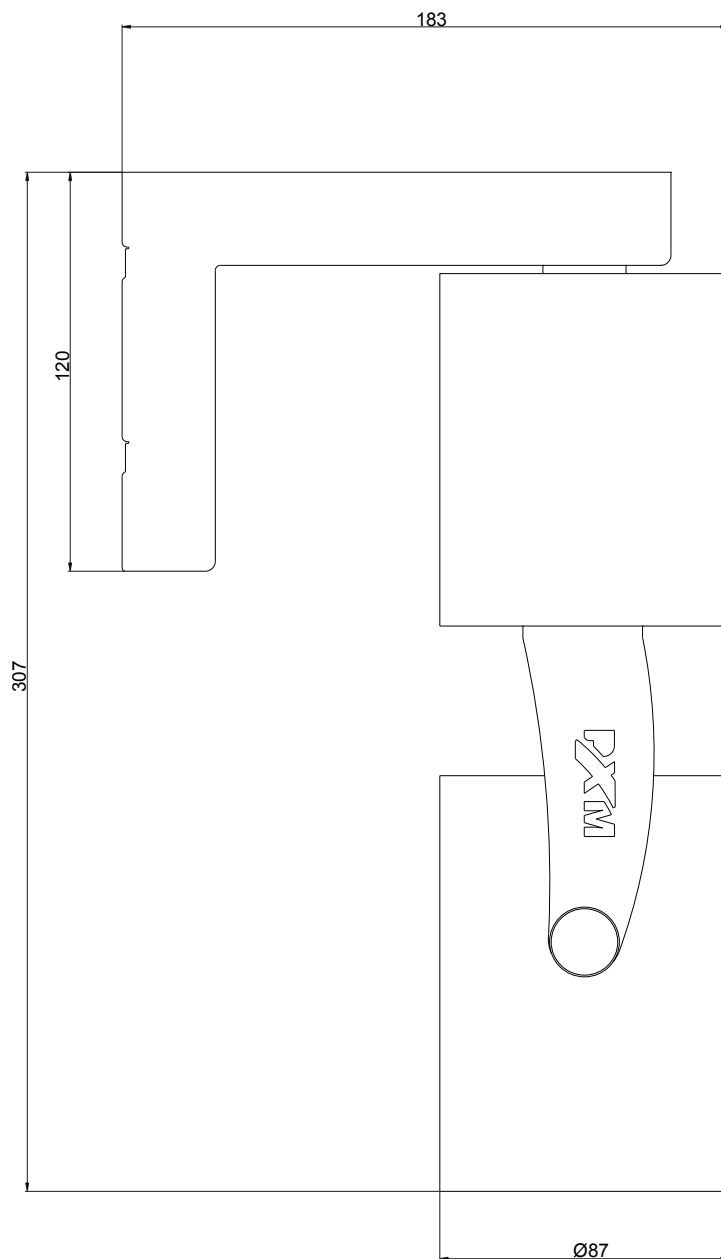
Models available

Below is a description of the PX803-W model designations with their explanation:

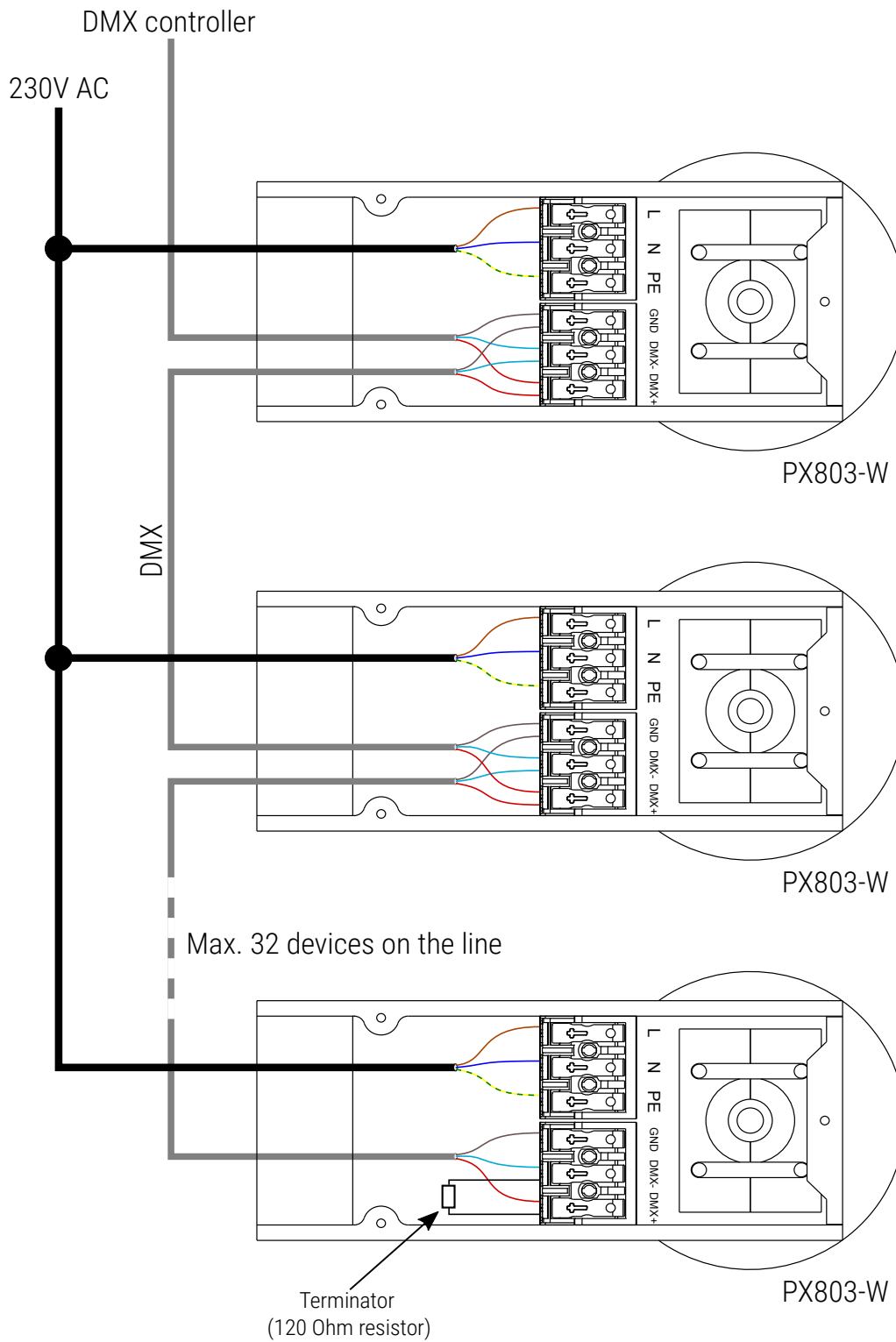
PX803-W – BB – XX – YYY – Z

<u>BB – version:</u>	<u>XX – reflector angle:</u>	<u>YYY – CRI and color temperature:</u>	<u>Z – housing colors:</u>
XL – large COB	15 – 15°	X30 – CRI 95, temp. 3000K	1 – gray
	36 – 36°	930 – CRI 90, temp. 3000K	2 – black
	51 – 51°	950 – CRI 90, temp. 5000K	3 – white
		830 – CRI 80, temp. 3000K	
		850 – CRI 80, temp. 5000K	

Technical drawing



Connection diagram



Technical data

type	PX803-W
power supply	230V AC
number of LEDs	1 (COB)
power	26W
total luminous flux	PX803-W-XL-15-930: 2443lm PX803-W-XL-36-930: 2435lm PX803-W-XL-51-930: 2417lm
PF (power factor)	0.94
max. increase of the housing temperature	+50°C
color rendering index CRI	min. 80
lifetime of diodes	50000h
reflector angles	15°, 36°, 51°
brightness adjustment range	0 – 100%
control	DMX / RDM
mounting	to the wall
available housing colors	gray, black, white
weight	1.5kg
dimensions	width: 183mm height: 307mm diameter: 87mm