



PxArt+ 06 Mono Ceiling
PxArt+ 12 Mono Ceiling
PxArt+ 18 Mono Ceiling

Device description

PX801-C is a professional LED illuminator designed for illumination of museum exhibitions or displays. Thanks to the application of the most modern semiconductor SSL LED light sources and advanced control electronics, a high class illuminator was created which meets very high requirements for museum and exhibition lighting. Its most important advantages include a complete lack of ultraviolet radiation emission, trace amounts of infrared radiation, a very high factor of CRI color capturing, large brightness and small energy consumption. Modern electronics allowed to create a lamp that is devoid of the effect of "light vibration" (*flicker free* technology) in the full control range, which makes it useful in the television industry.

The device has a bracket that allows it to be mounted directly to the ceiling.

Individual address allocated to each lamp allow for independent adjustment of its brightness, regardless of the settings of other lamps. Through push button located on the lamp casing it is possible to operate it manually.

Highly-effective LEDs made by Osram Oslon® are used in the lamp with an efficient control system, through which the lamp emits small amounts heat.

The lamp casing renders it possible to change the direction of its beacon in two axes.

Models available

Below is a description of the PX801-C model designations with their explanation:

PX801-C – AA – XX – YYY – Z

<u>AA – version:</u>	<u>XX – beam angle</u>	<u>YYY – CRI and color temperature:</u>	<u>Z – housing colors:</u>
06 – 6 LEDs	10 – 10°	927 – CRI 90, temp. 2700K	1 – gray
12 – 12 LEDs	20 – 20°	930 – CRI 90, temp. 3000K	2 – black
18 – 18 LEDs	30 – 30°	940 – CRI 90, temp. 4000K	3 – white
	40 – 40°	950 – CRI 90, temp. 5000K	
	EL* – elliptical lenses	957 – CRI 90, temp. 5700K	
	WW** – Wall Washer		

* - not available for the PX801-C-06 lamp

** - not available for the PX801-C-06 and PX801-C-12 lamp

PxArt+ 06 Mono Ceiling



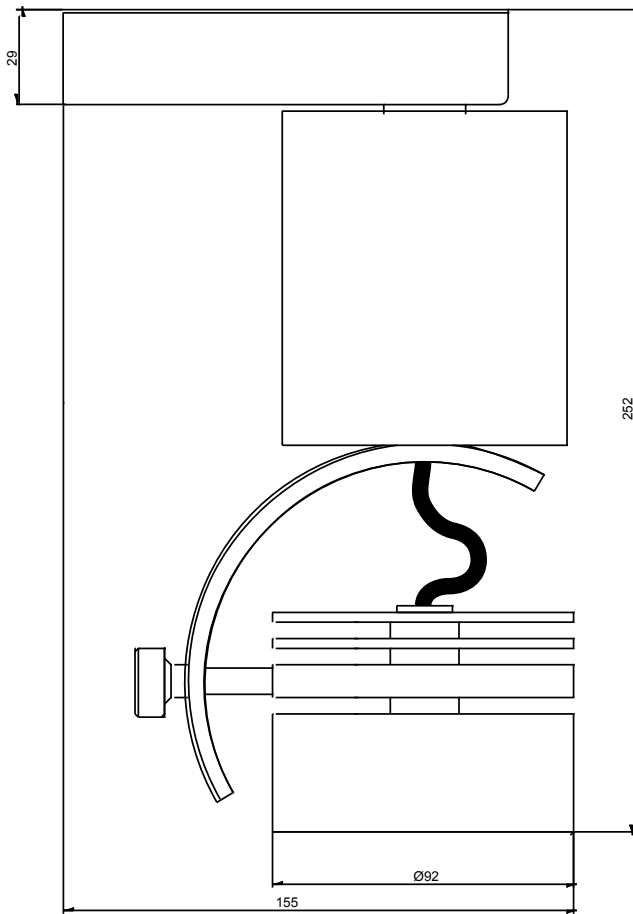
PxArt+ 12 Mono Ceiling



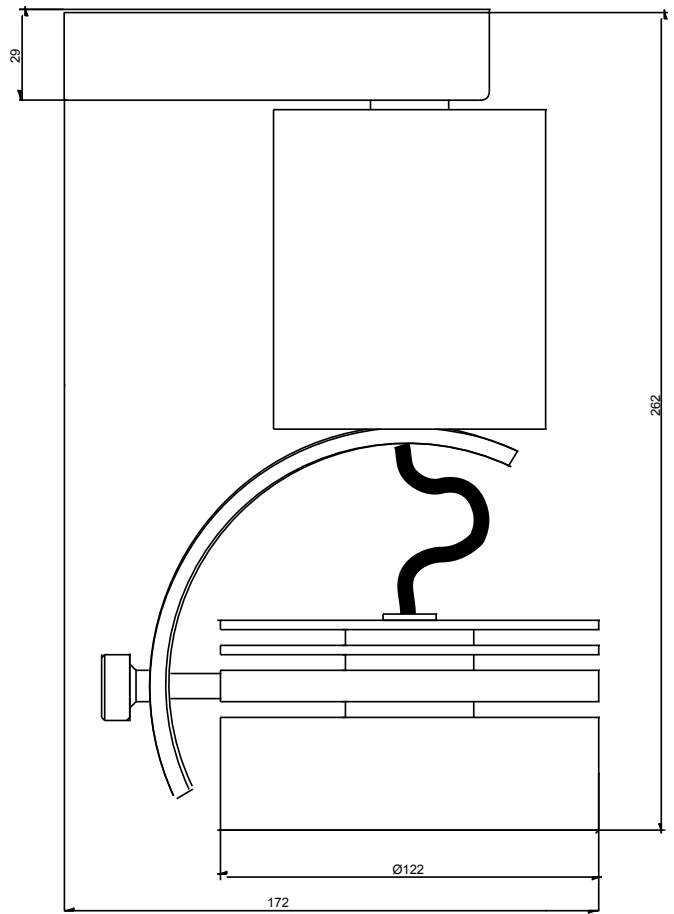
PxArt+ 18 Mono Ceiling



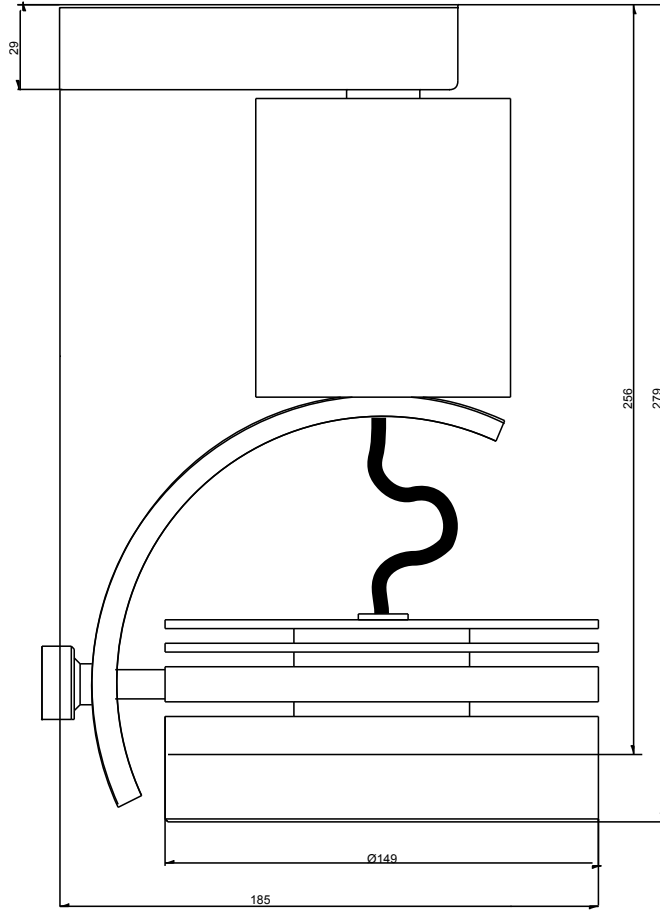
PxArt+ 06 Mono Ceiling



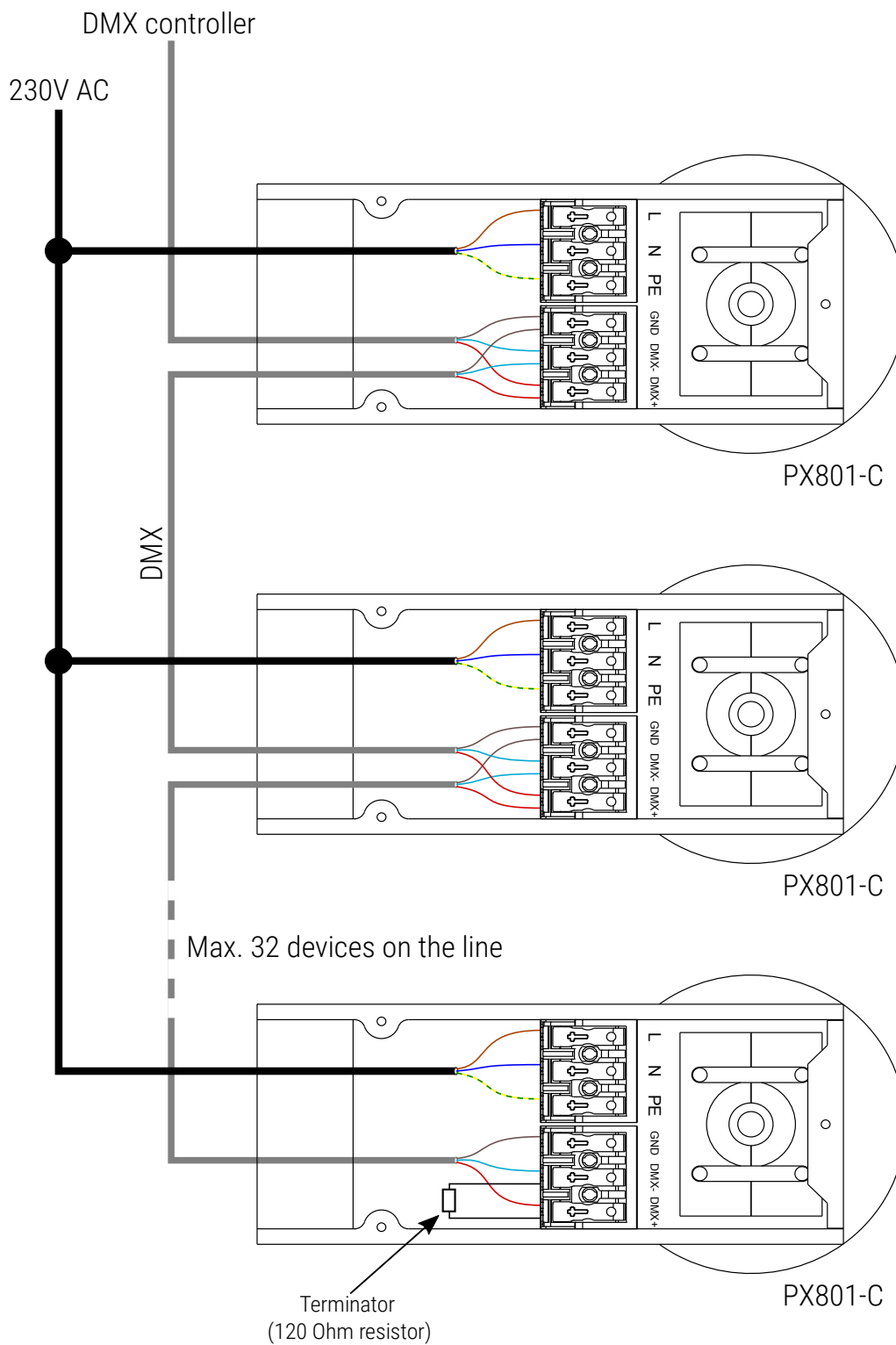
PxArt+ 12 Mono Ceiling



PxArt+ 18 Mono Ceiling



Connection diagram



Technical data

type	PX801-C
power supply	230V AC
number of diodes	6 / 12 / 18
power consumption	PX801-C-06: 10W PX801-C-12: 17,5W PX801-C-18: 25W
max. temperature rise housing	+30°C
LEDs lifespan	50000h
beam angle	10°, 20°, 30°, 40°, EL* (10 x 45°), WW** (50 x 110°)
color temperature	2700K, 3000K, 4000K, 5000K, 5700K
range of brightness adjustment	0 – 100%
CRI index	min. 90
control	DMX, RDM
programmable scenes	1
mounting	to the ceiling
available housing colors	gray, black, white
weight	PX801-C-06: 1.3kg PX801-C-12: 1.7kg PX801-C-18: 2.4kg
dimensions	height PX801-C-06: 252mm diameter PX801-C-06: 92mm height PX801-C-12: 262mm diameter PX801-C-12: 122mm height PX801-C-18: 279mm diameter PX801-C-18: 148mm

* - not available for the PX801-C-06 lamp

** - for a lamp equipped with WW (Wall Washer) optics the look of the reflector differs slightly (dimensions also) – not available for the PX801-C-06 and PX801-C-12 lamp