



DATA SHEET

PX800-T

PxArt+ 06 Track

PxArt+ 12 Track

PxArt+ 18 Track

Device description

PX800-T is a professional LED illuminator designed for illumination of museum exhibitions or displays. Thanks to the application of the most modern semiconductor SSL LED light sources and advanced control electronics, a high class illuminator was created which meets very high requirements for museum and exhibition lighting. Its most important advantages include a complete lack of ultraviolet radiation emission, trace amounts of infrared radiation, a very high factor of CRI color capturing, smooth adjustment of color temperature of emitted light, large brightness and small energy consumption. Modern electronics allowed to create a lamp that is devoid of the effect of "light vibration" (*flicker free* technology) in the full control range, which makes it useful in the television industry.

The device features a base which allows for mounting it in GLOBAL Trac[®] Pulse Control bus bars, provided with an additional control line.

Two individual addresses allocated to each lamp allow for independent adjustment of its brightness and color temperature, regardless of the settings of other lamps. Through push buttons located on the lamp casing it is possible to operate it manually (e.g. in case of connecting the lamp to bus bars without a control line).

Highly-effective LEDs made by Osram Oslon[®] are used in the lamp with an efficient control system, through which the lamp emits small amounts heat.

The lamp casing renders it possible to change the direction of its beacon in two axes.

Models available

Below is a description of the PX800-T model designations with their explanation:

PX800-T – AA – XX – Z

AA – version:

06 – 6 LEDs
12 – 12 LEDs
18 – 18 LEDs

XX – beam angle

10 – 10°
20 – 20°
30 – 30°
40 – 40°
EL* – elliptical lenses
WW** – Wall Washer

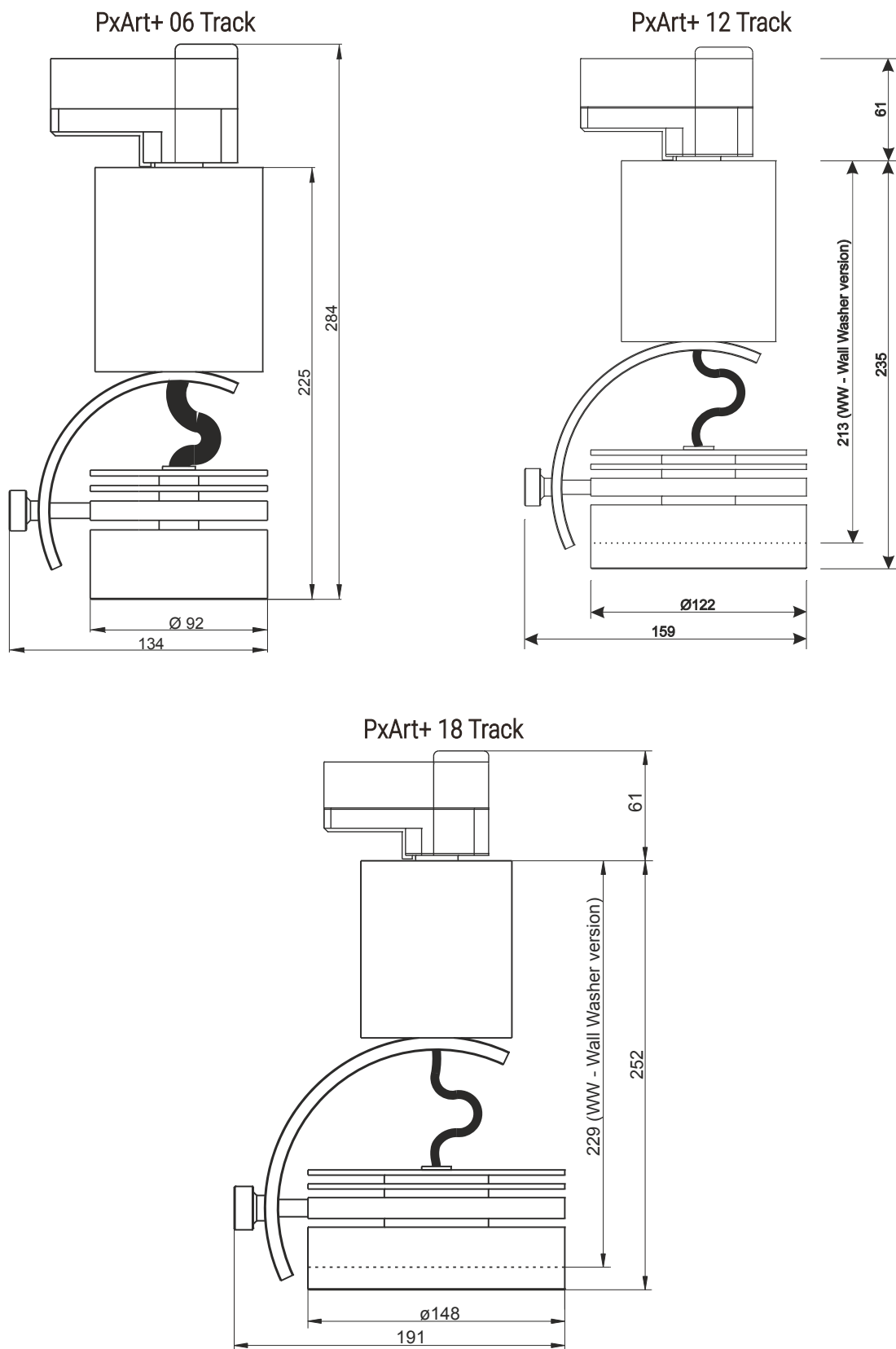
Z – housing colors:

1 – gray
2 – black
3 – white

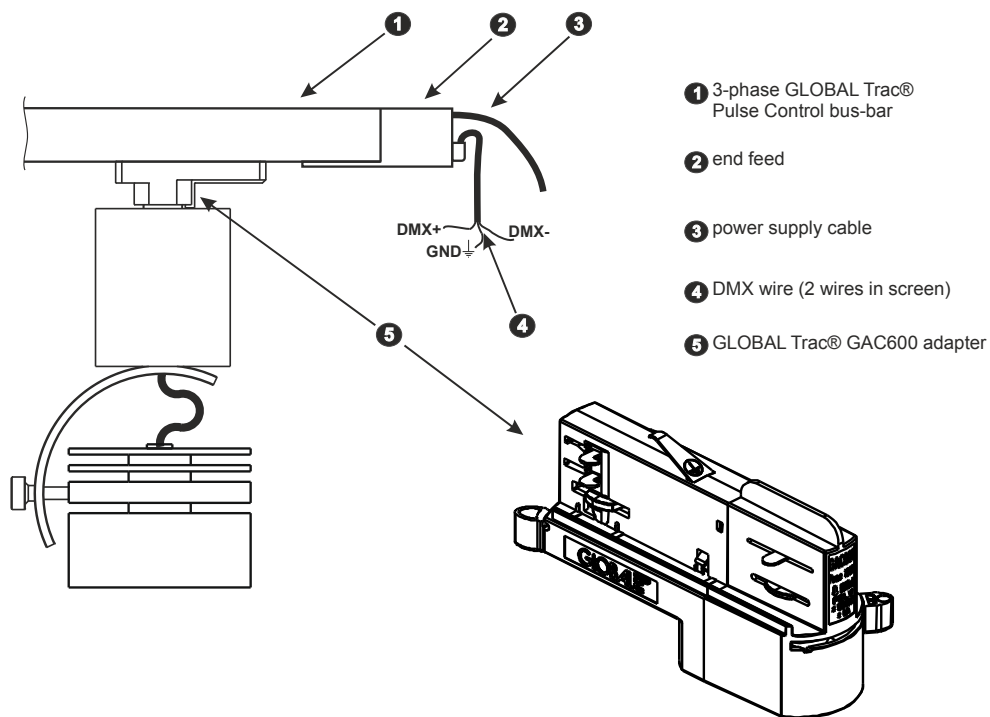
* - not available for the PX800-T-06 lamp

** - not available for the PX800-T-06 and PX800-T-12 lamp





Connection diagram



Technical data

| | |
|--------------------------------|---|
| type | PX800-T |
| power supply | 230V AC |
| number of diodes | 6 / 12 / 18 |
| power consumption | PX800-T-06: 10W PX800-T-12: 17,5W PX800-T-18: 25W |
| max. temperature rise housing | +30°C |
| luminous flux | PX800-T-06: 600lm PX800-T-12: 1200lm PX800-T-18: 1800lm |
| LEDs lifespan | 50000h |
| beam angle | 10°, 20°, 30°, 40°, EL* (10 x 45°), WW** (50 x 110°) |
| color temperature | 2700 – 5000K |
| range of brightness adjustment | 0 – 100% |
| CRI index | min. 90 |
| control | DMX, RDM |
| programmable scenes | 1 |
| mounting | GLOBAL Trac® Pulse Control |
| available housing colors | gray, black, white |
| weight | PX800-T-06: 1.3kg PX800-T-12: 1.7kg PX800-T-18: 2.4kg |
| dimensions | height PX800-T-06: 225mm diameter PX800-T-06: 92mm height PX800-T-12: 235mm diameter PX800-T-12: 122mm height PX800-T-18: 252mm diameter PX800-T-18: 148mm |

* - not available for the PX800-T-06 lamp

** - for a lamp equipped with WW (Wall Washer) optics the look of the reflector differs slightly (dimensions also) – not available for the PX800-T-06 and PX800-T-12 lamp

