

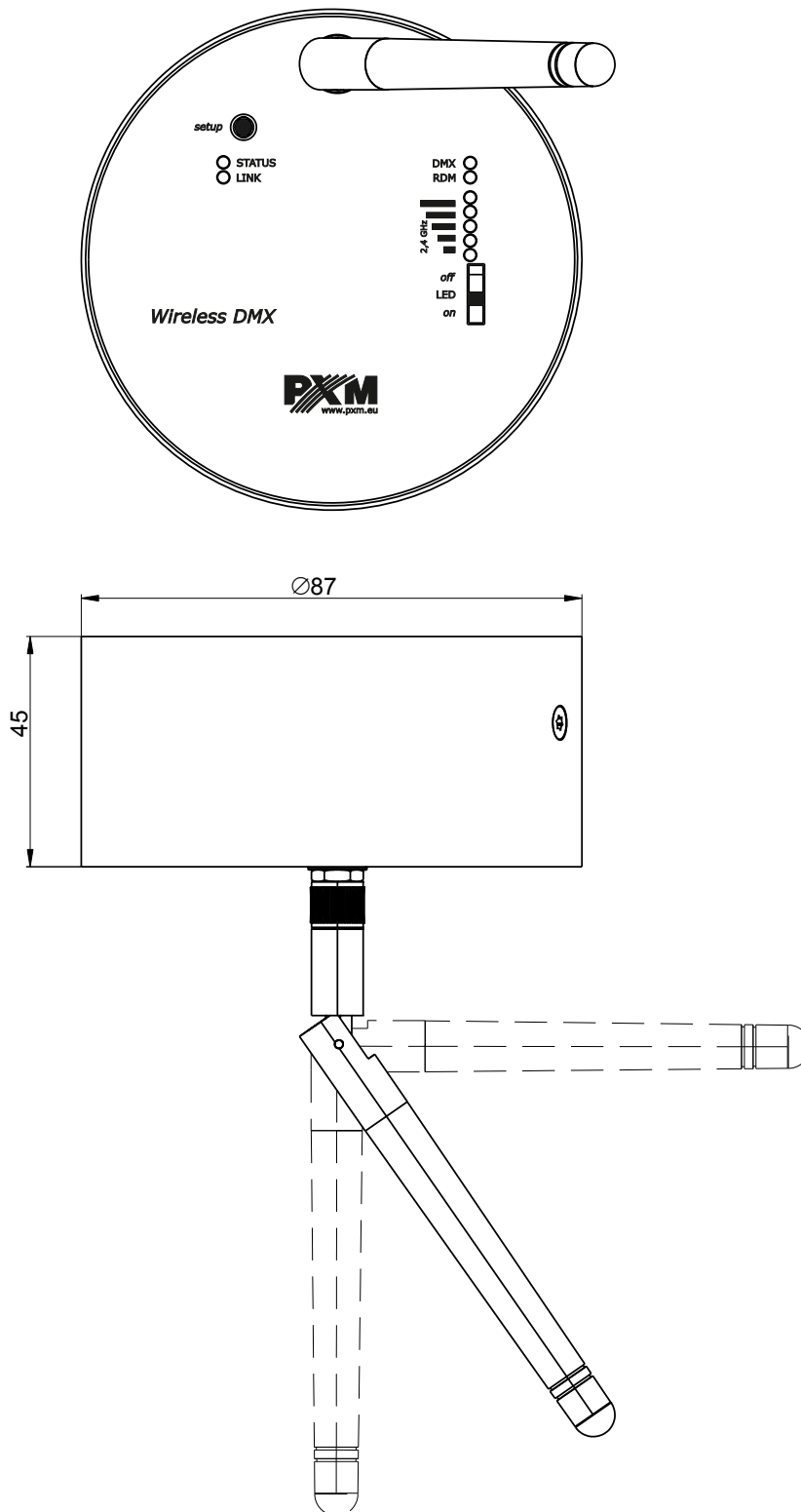


Device description

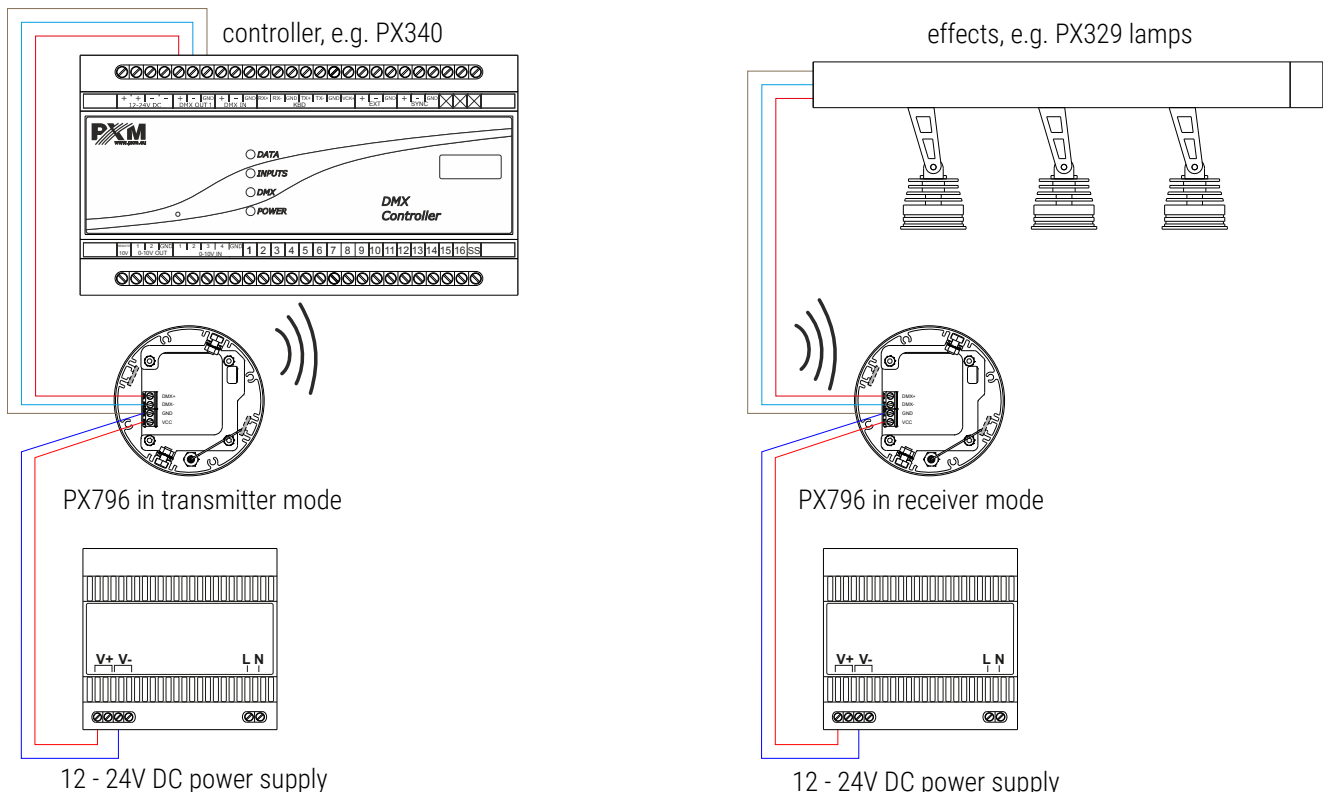
PX796, depending on the configuration, can be a transmitter or a receiver of a wireless DMX signal.

Wireless DMX is a device that allows you to connect easily, without using wires, installations based on the DMX512 control system. In order to create an installation using wireless DMX signal transmission, two devices of this type should be used, set in transmitting and receiving mode (works with PX795 – device on the Global TRAC[®] bus). Configuration is very simple and is carried out at the touch of a button. The 2.4GHz band in which communication occurs ensures long range and unnoticeable delays.

The PX796 has a metal housing adapted for wall mounting (or to a standard ø60mm flush-mounted box) and is supplied with 12 – 24V DC safe voltage.



Connection diagram



Technical data

type	PX796
power supply	12 – 24V DC
number of DMX channels	512
RDM protocol support	yes
transmission speed	0.8 – 830 fps
output power	5 – 20 dBm
frequency	2.4GHz
range (receiver – transmitter) *	max. 1km
operating mode	transmitter / receiver
power consumption	max. 0.5W
weight	0.2kg
dimensions	diameter: 87mm depth: 45mm

* - in open space and in favorable weather conditions, without any obstacles between devices

