



Device description

Merger DMX 3/1 is a DMX signal adder. It was created to work in installations in which several controllers work and there is a need to "sum up" the outputs of this type of devices, and then send them further via one DMX line.

PX788 allows to add DMX signals from different devices, and then, after selecting one of the 7 "mixing" modes, it sends the signals to a single DMX output. Merger can operate in two configurations: 3 → 1, 2 → 2, it means that the device can sum up 3 inputs and send the result DMX signal to one line or sum 2 inputs and send the result signal to two output lines.

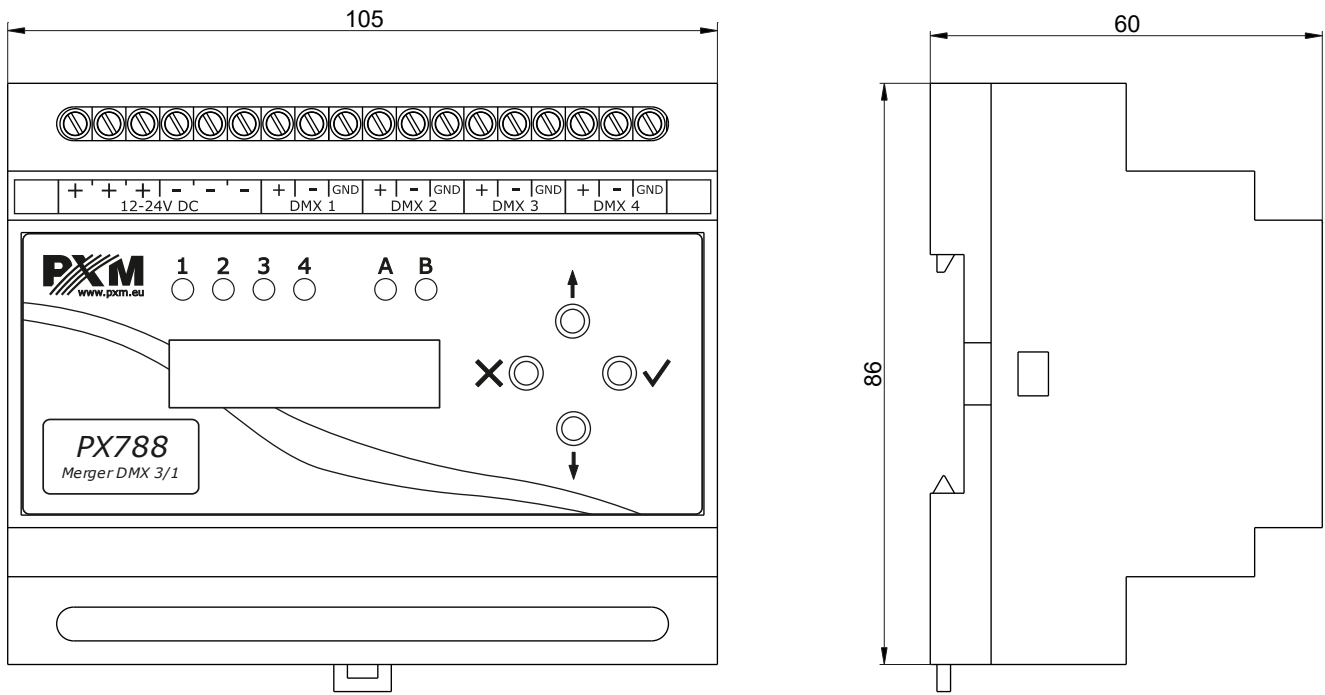
Available methods of merging DMX signals:

- HTP,
- LTP,
- Priority,
- Capture,
- Fixed value,
- Mixed,
- Direct.

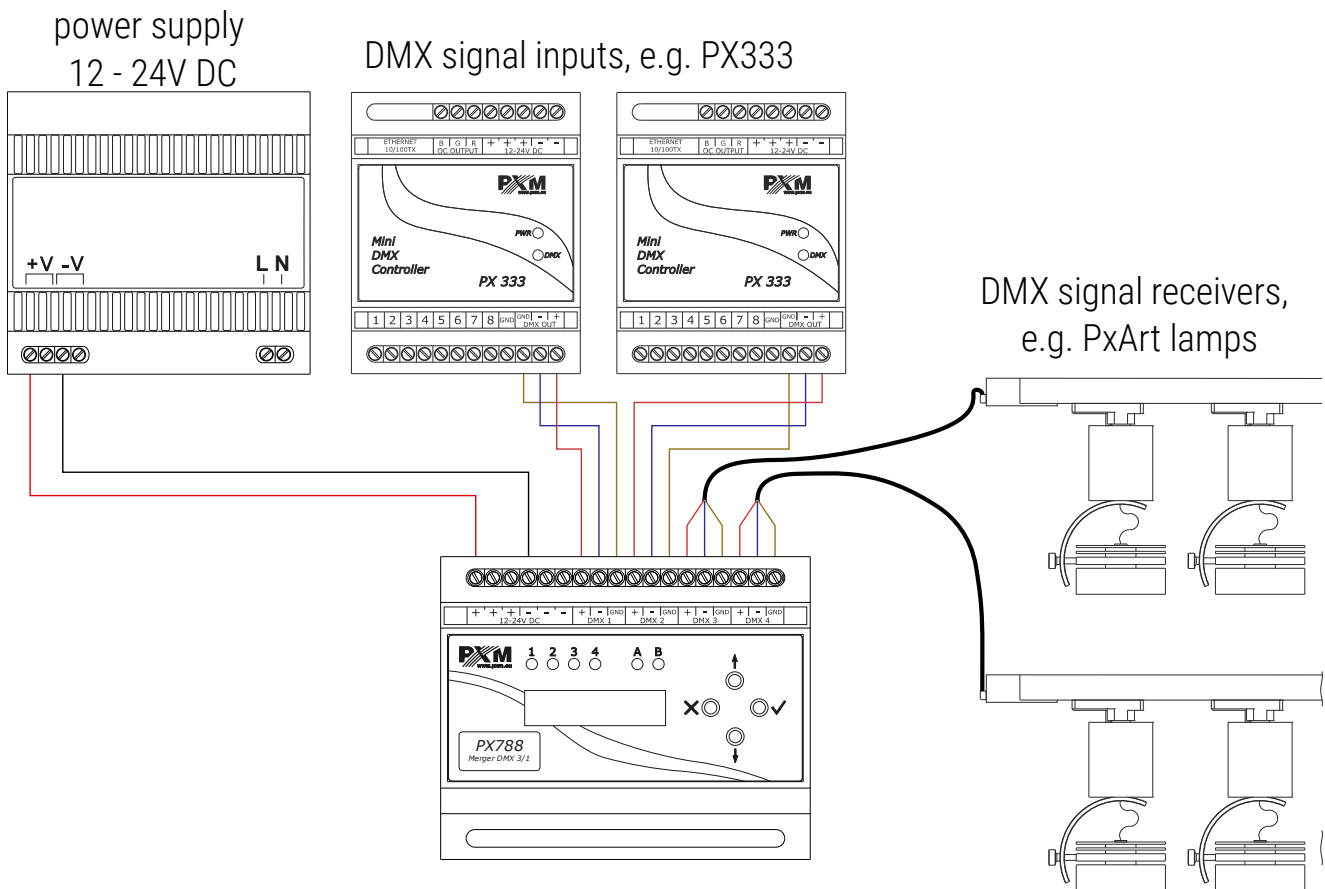
Managing PX788 settings is possible using the buttons and the screen on the casing or using the Web Server built into the device.

Merger DMX 3/1 has been placed in a housing adapted for mounting on a 35mm DIN rail and is powered by a safe voltage of 12 – 24V DC.

Technical drawing



Connection diagram



NOTE! DMX 1 and DMX 2 are always signal inputs. DMX 3, depending on the merge mode, can be the output (2/2) or the input (3/1) of the DMX signal. DMX 4 is always the output.



Technical data

type	PX788
power supply	12 – 24V DC
power consumption	max. 3W
DMX channels	512
DMX IN / OUT	2 / 2 or 3 / 1
programming	2 x 16 LCD display and 4 buttons Web Server
output connectors	screw terminals
weight	0.15kg
dimensions	width: 105mm height: 86mm depth: 60mm