

DATA SHEET

PX763

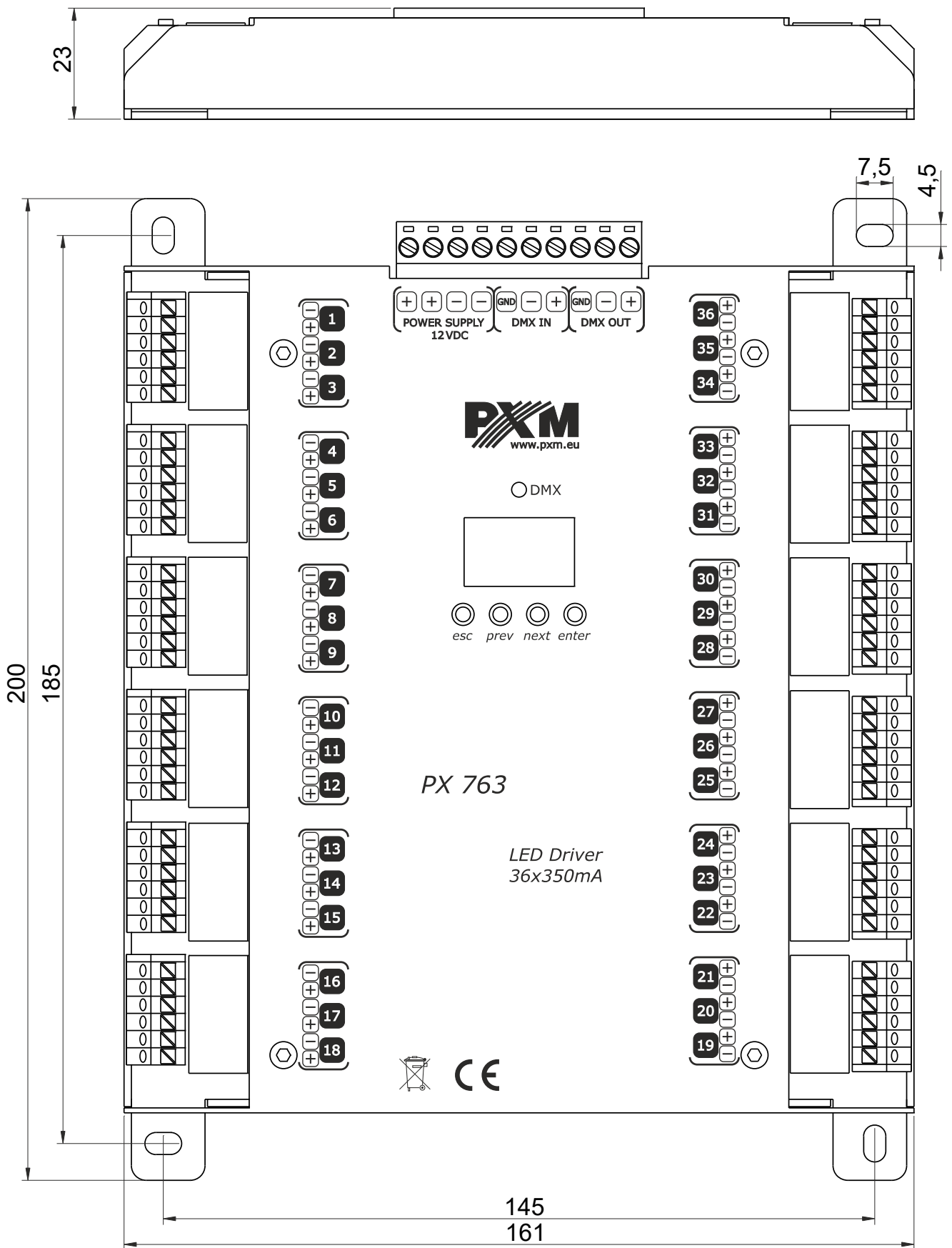
Driver LED C.C.
36 x 350mA

Device description

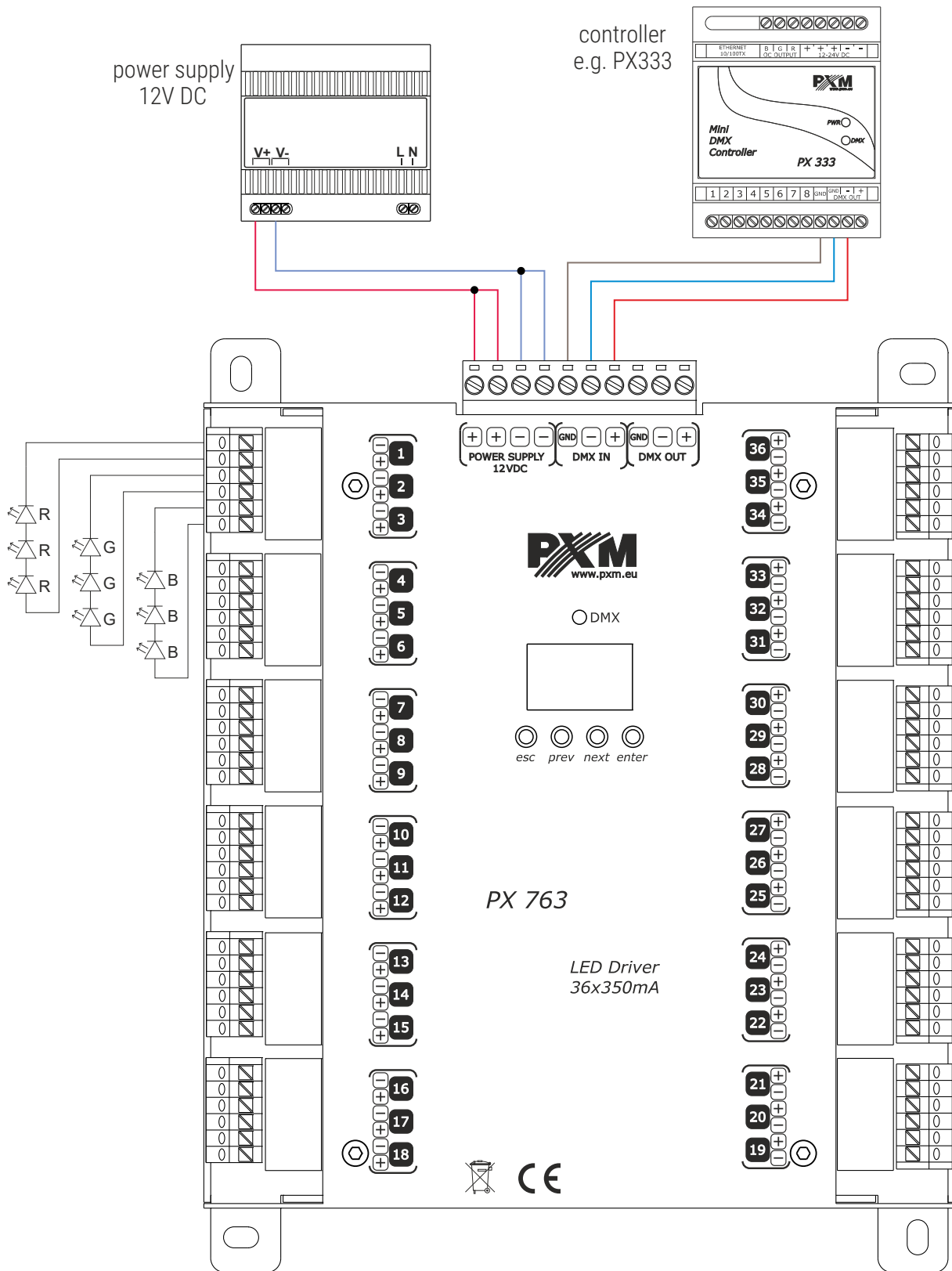
The PX763 is a 36-channel current driver created with a view to RGB and RGBW matrix systems, which is perfectly suitable for controlling lighting of large surfaces consisting of a lot of module elements. Facades may be such an example, LED screens or illuminated floors. Using the built-in DMX signal receiver, it is possible to control all 36 channels with the DMX512 protocol. Supply voltage of 12V DC and high current capacity of outputs (max. 350mA) enable to connect a big number of LEDs – and in consequence, the effect of even illumination of the whole surface is obtained. The applied interpolated resolution of the output control 12bit for 330Hz and 10bit for 1.3kHz makes the brightness control of individual channels completely smooth. The additional advantage is implementation of modern technology “flicker free” i.e. a possibility to select frequency of 1.3kHz. Applying it, the PX763 driver can be successfully used in installations created for the needs of the television industry. Moreover, the RDM protocol was implemented in the PX763.

The device includes: channel addressing, 18 built-in programs and one scene, which can be programmed. The programs can be restored if the DMX signal disappears or in the effect mode.

The small flat casing of the device is adapted for wall mounting, screw connections allow for quick and easy connection of power supply and DMX signal, while connecting the output channels is tool-free thanks to the use of connectors with spring clamps.



Connection diagram



NOTE! The power cables must be connected to all connectors on the device.



www.pxm.pl
BDO register number 000005972



Technical data

type	PX763
DMX channels	36 + dimmer (optional)
support for the RDM protocol	yes
power supply	12V DC
max. current consumption	max. 3.8A (in each channel only one LED) max. 12A (in each channel three LEDs)
power consumption without load	0.5W
output channels number	36
outputs load capacity	345mA/channel (+2% ÷ -2%)
output sockets	solid wire: 0.2 – 1.5mm ² stranded wire: 0.2 – 1.5mm ² stranded wire with ferrule: 0.25 – 1mm ²
weight	0.45kg
dimensions	width: 161mm height: 200mm depth: 23mm