

Trailing Edge Dimmer



Device description

PX741 is an intelligent transistor dimmer with phase cutting where control is carried out on the falling edge (the so-called trailing edge dimming).

The module controls four channels 200W each and has an built-in system of interference suppression, fuses and signal controls. The device has the DMX512 input, analogue inputs 0 – 10V or a possibility to link outer buttons and control them in compliance with one of four functions. The dimmer offers a lot of possibilities to adjust the control characteristic.

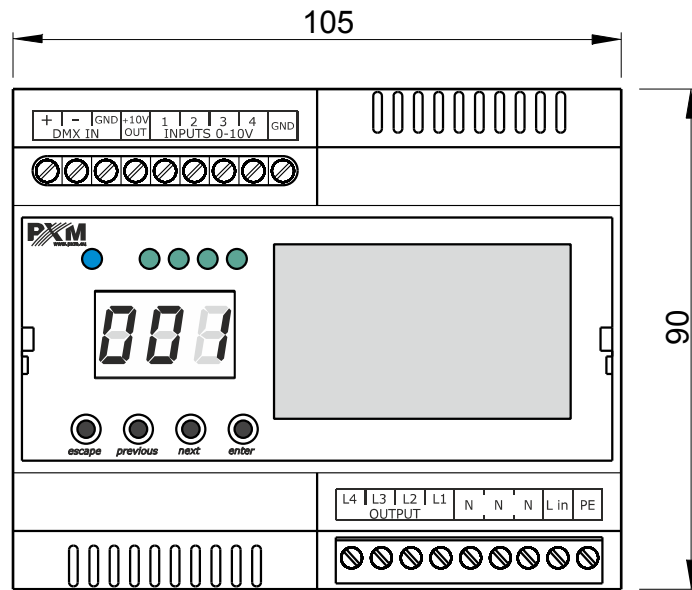
Each of the four output channels can be configured individually. The settings consist of the following parameters:

- the control mode (DMX, analogue, buttons)
- DMX address
- the reaction of the lack of the DMX signal
- the choice of key functions together with the full regulation of reaction time
- advanced functions and parameters allowing to adjust control to the type and characteristic of capacity (a minimum and maximum level of control, a characteristic curve, a function of pre-glow)

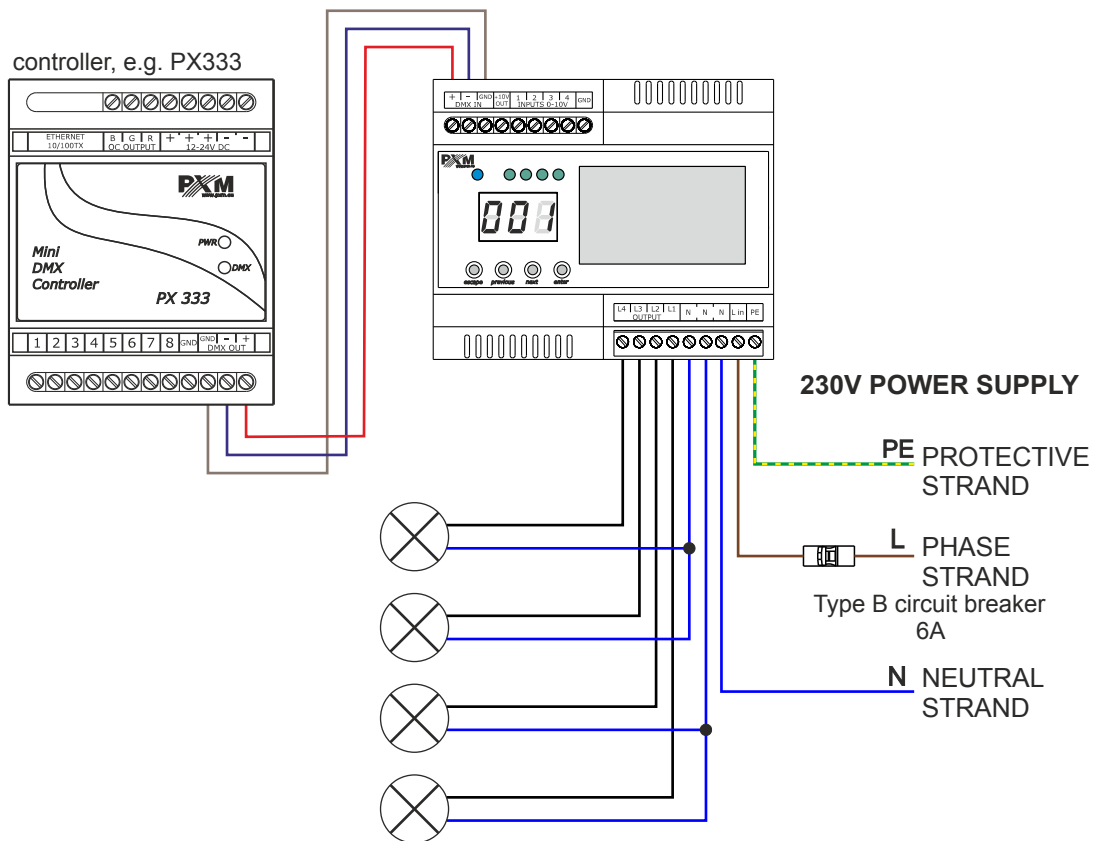
The dimmer is designated to work with capacity of R and RC types:

- dimmable LED bulbs
- LEDs connected with a dimmable adapter of the CC type
- traditional bulbs
- halogen bulbs 230V
- halogen bulbs 12V connected with the dimmable electronic transformer

The device is closed in the standard housing designated for bar assembling.



Connection diagram



Technical data

type	PX741
power supply	230V / 50Hz
max. power consumption	4A
number of outputs	4
voltage of outputs	230V / 50Hz
load	max. 200W / output
control inputs	0 – 10V DMX512 monostable buttons
power consumption inputs 0 – 10V	0,1mA
weight	0.3kg
dimensions	width: 105mm height: 90mm depth: 58mm