

PX734

Light & movement
sensor

User manual



Table of Contents

| | |
|--|---|
| 1 Description..... | 3 |
| 2 Safety conditions..... | 4 |
| 3 Connectors and control elements..... | 5 |
| 4 Connection scheme..... | 6 |
| 5 Dimensions..... | 7 |
| 6 Technical data..... | 8 |

Manufacturer reserves the right to make modifications in order to improve device operation.

PXM Marek Żupnik sp.k.
Podłęże 654
32-003 Podłęże
BDO register number 000005972

tel. +48 12 385 83 06
mail: info@pxm.pl
www.pxm.pl

Rev.1-1
01.02.2021

1 Description

PX734 is a light intensity sensor integrated in one module with a motion sensor.

The device can be connected as an additional input module working with the PX340 and PX710M controllers (via PX725 – Keyboard Hub). Is operated through the controller as one analogue and one digital input. The advanced logic of the controller enables the application of signals from the sensor to create complex configurations with a lot dependencies.

The sensor measures lighting intensity continuously. Light & movement sensor has a maximum range of 12m and recognizes the area up to 1000m².

PX734 can work in three different ranges of brightness:

- to work in dark rooms,
- to work in bright rooms,
- to apply outside.

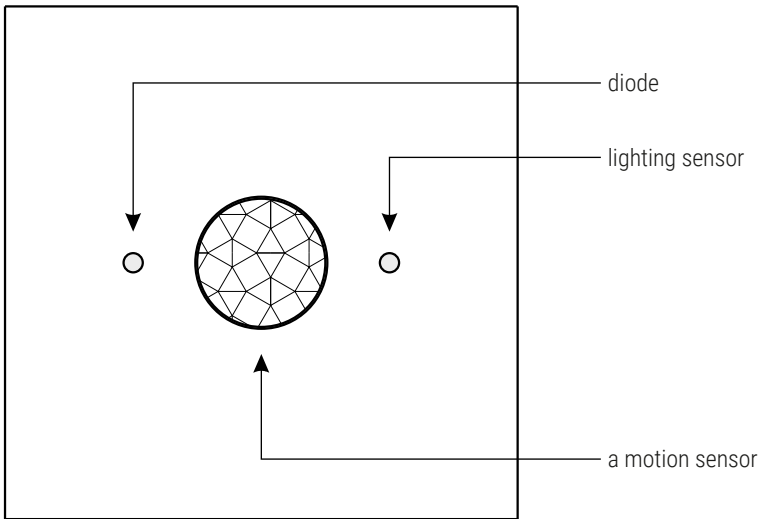
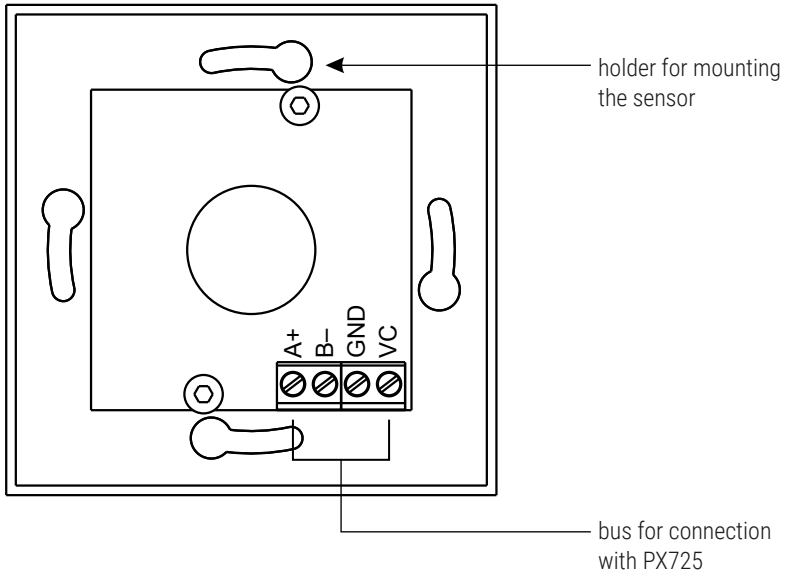
The plastic housing is adapted for easy mounting on the wall or ceiling.

2 Safety conditions

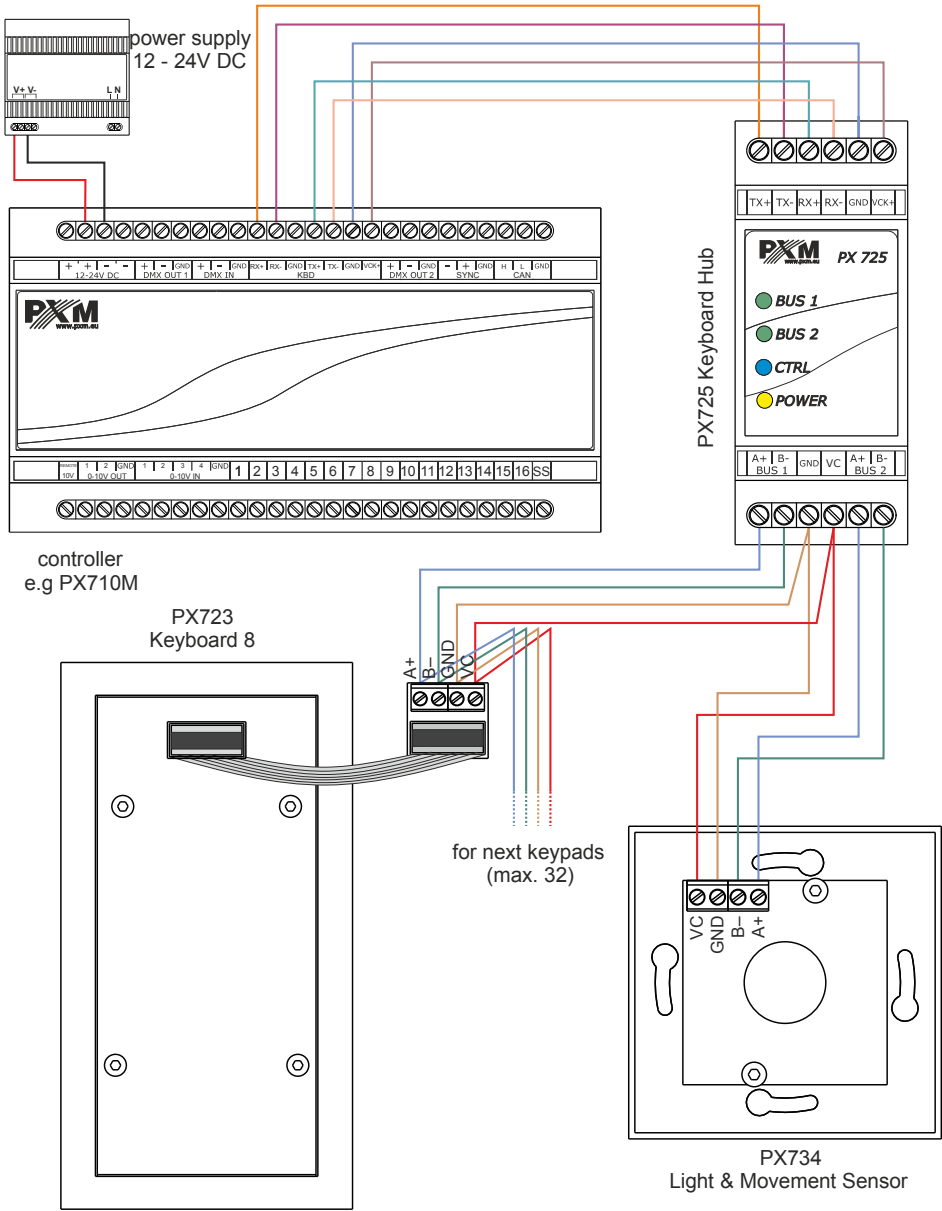
PX734 is a device powered with safe voltage 12 – 24V DC; however, during its installation and use the following rules must be strictly observed:

1. The device may only be connected to 12 – 24V DC with current-carrying capacity compatible with technical data.
2. All the conductors should be protected against mechanical and thermal damage.
3. In the event of damaging any conductor, it should be replaced with a conductor of the same technical data.
4. Only a shielded cable should be used to connect the control signal.
5. All repairs and connection can be made with cut off power supply.
6. PX734 should be strictly protected against contact with water and other liquids.
7. All sudden shocks, particularly dropping, should be avoided.
8. The device cannot be turned on in places with humidity exceeding 90%.
9. The device cannot be used in places with temperature lower than +2°C or higher than +40°C.
10. Clean with damp duster only.

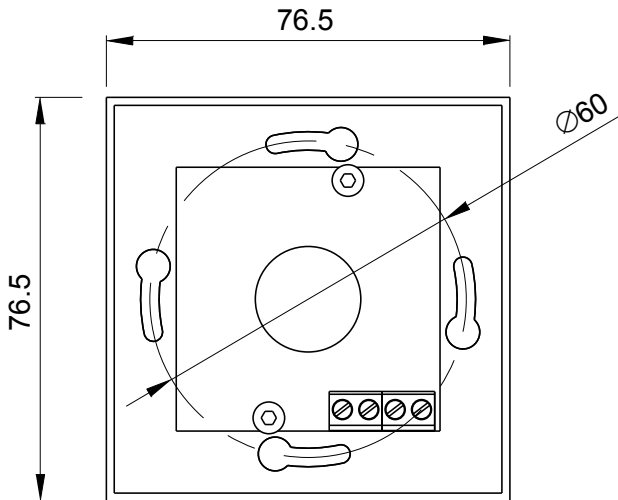
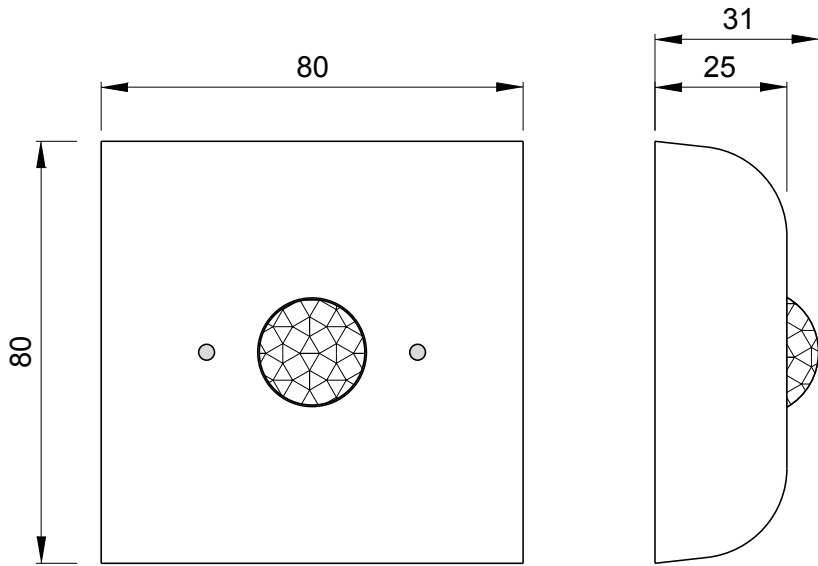
3 Connectors and control elements



4 Connection scheme



5 Dimensions



6 Technical data

| | |
|-----------------------------------|--|
| type | PX734 |
| power supply | 12 – 24V DC |
| horizontal detection angle | 102° |
| vertical detection angle | 92° |
| maximum range | 12m |
| waterproof class | IP20 |
| number of devices | 64 (max. 32 for one line PX725) |
| programming | PxDesigner application |
| compatible controllers | PX710M, PX340 |
| communication with the controller | PX725 (Keyboard Hub) |
| motion sensor information LED | yes |
| weight | 0.1kg |
| dimensions | width: 80mm height: 80mm depth: 31mm |

DECLARATION OF CONFORMITY

PXM Marek Żupnik spółka komandytowa
Podłęże 654, 32-003 Podłęże

we declare that our product:

Product name: Light & Movement sensor

Product code: PX734

meets the requirements of the following standards, as well as harmonised standards:

PN-EN IEC 63000:2019-01

EN IEC 63000:2018

PN-EN 61000-4-2:2011

EN 61000-4-2:2009

PN-EN IEC 61000-6-1:2019-03

EN IEC 61000-6-1:2019

PN-EN 61000-6-3:2008

EN 61000-6-3:2007

and meets the essential requirements of the following directives:

2011/65/UE **DIRECTIVE OF THE EUROPEAN PARLIAMENT AND OF THE COUNCIL** of 8 June 2011 on the restriction of the use of certain hazardous substances in electrical and electronic equipment
Text with EEA relevance.

2014/30/UE **DIRECTIVE OF THE EUROPEAN PARLIAMENT AND OF THE COUNCIL** of 26 February 2014 on the harmonisation of the laws of the Member States relating to electromagnetic compatibility (recast)
Text with EEA relevance.


Marek Żupnik spółka komandytowa
32-003 Podłęże, Podłęże 654
NIP 677-002-54-53



mgr inż. Marek Żupnik.