

Light & movement
sensor

Device description

PX734 is a light intensity sensor integrated in one module with a motion sensor.

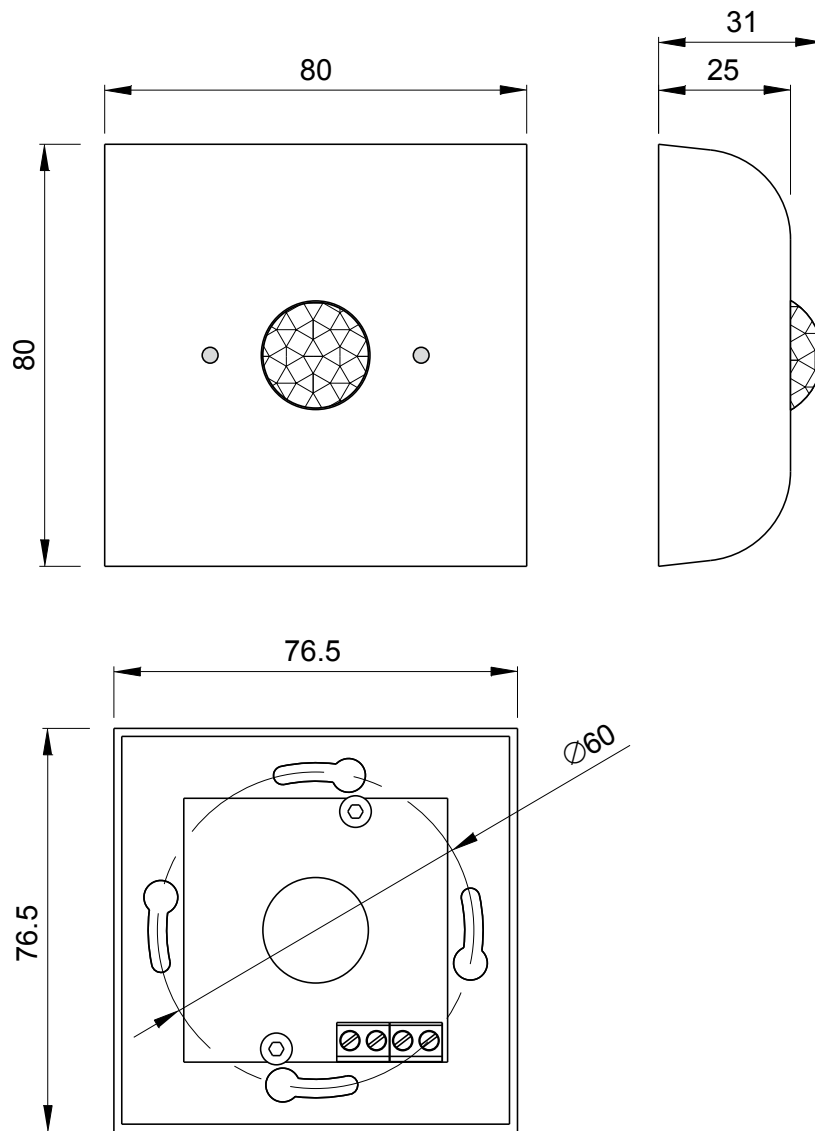
The device can be connected as an additional input module working with the PX340 and PX710M controllers (via PX725 – Keyboard Hub). The PX725 Keyboard Hub is not required when connected to the PX340+ / PX710+ controller. Is operated through the controller as one analogue and one digital input. The advanced logic of the controller enables the application of signals from the sensor to create complex configurations with a lot dependencies.

The sensor measures lighting intensity continuously. Light & movement sensor has a maximum range of 12m and recognizes the area up to 1000m².

PX734 can work in three different ranges of brightness:

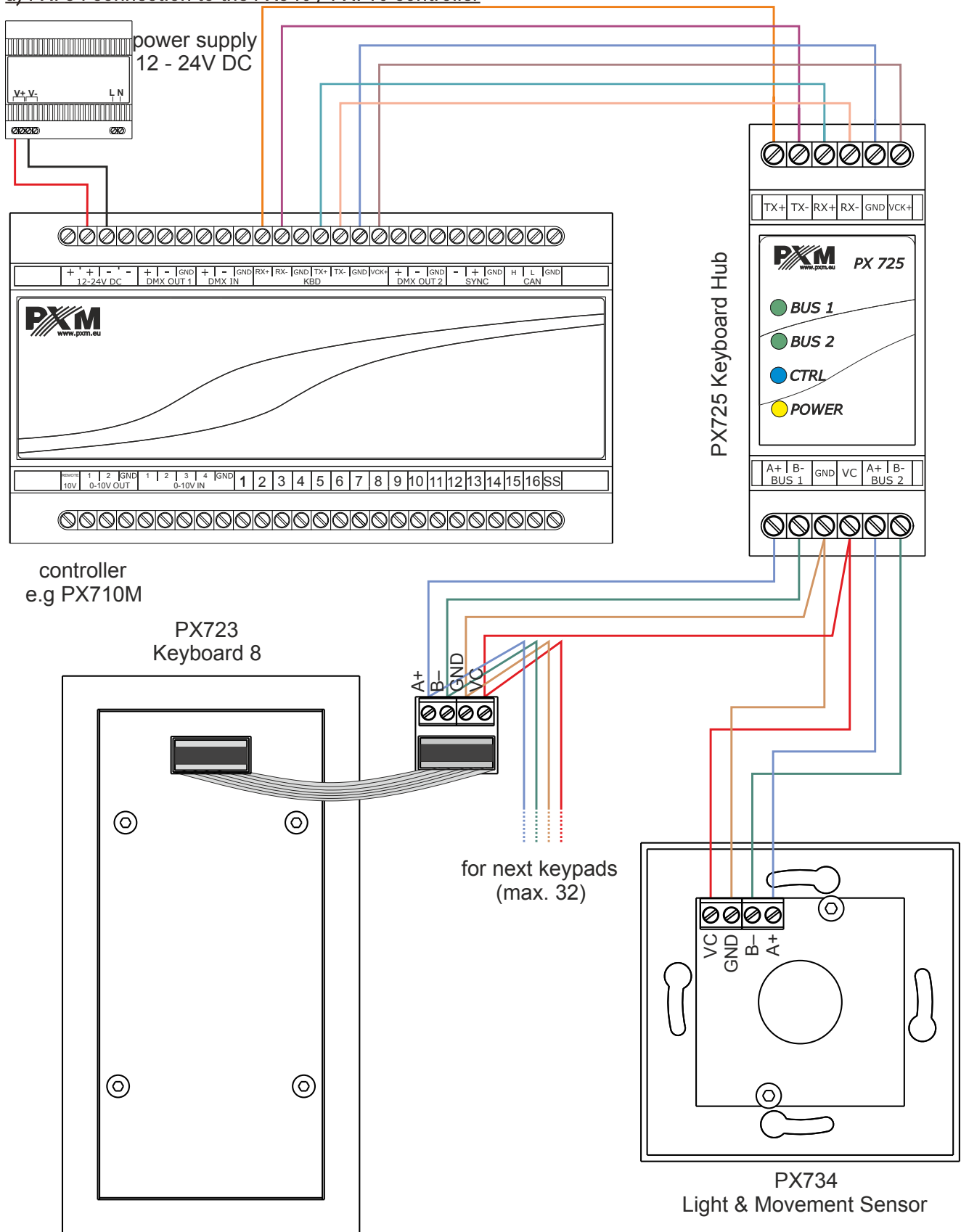
- to work in dark rooms,
- to work in bright rooms,
- to apply outside.

The plastic housing is adapted for easy mounting on the wall or ceiling.

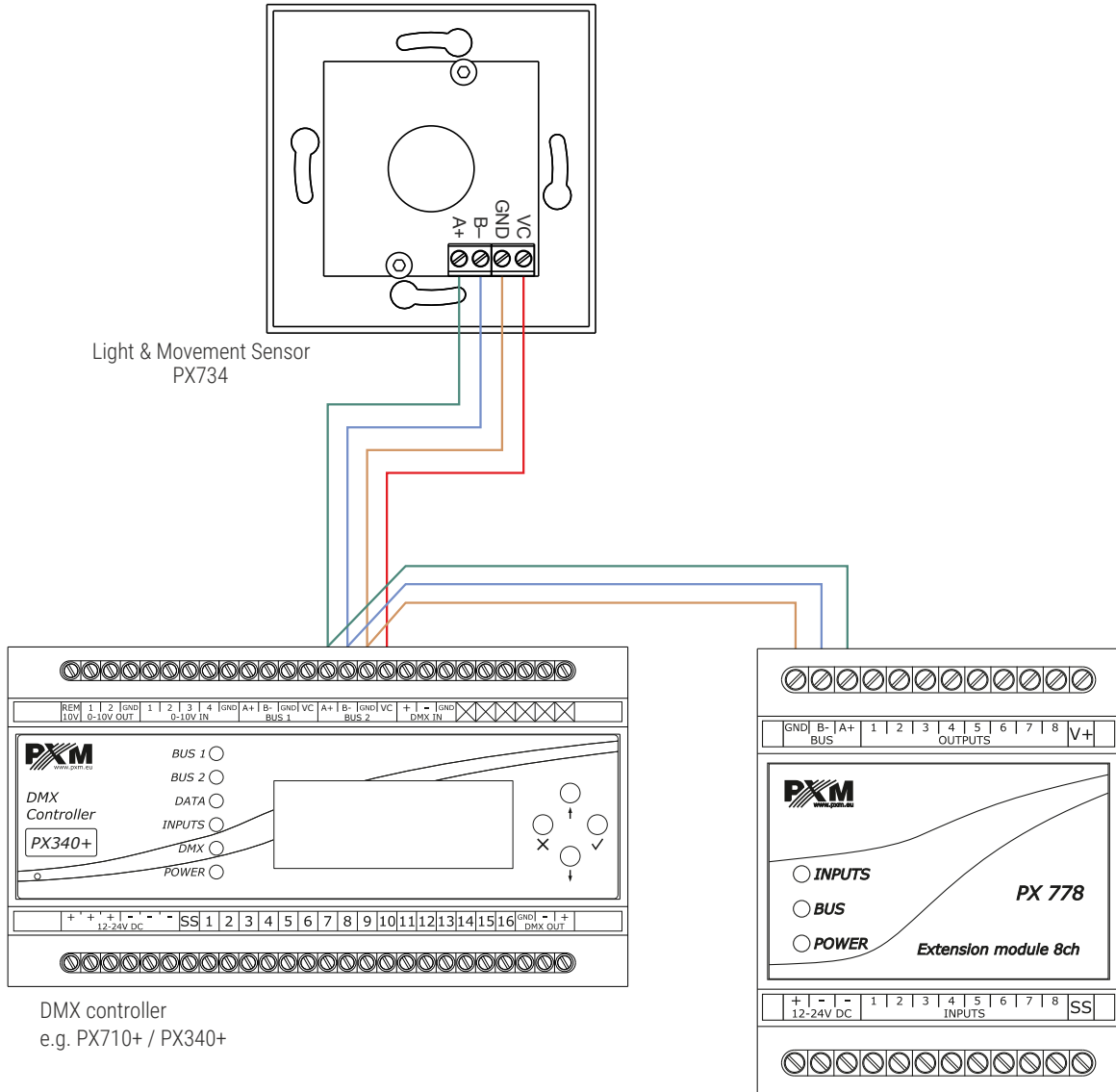


Connection diagram

a) PX734 connection to the PX340 / PX710 controller



b) PX734 connection to the PX340+ / PX710+ controller



Technical data

type	PX734
power supply	PX725 or PX710+ / PX340+
horizontal detection angle	102°
vertical detection angle	92°
maximum range	12m
waterproof class	IP20
number of devices	64 (max. 32 for one line PX725)
programming	PxDesigner application
compatible controllers	PX710, PX340, PX710M+, PX340+
communication with the controller	PX725 Keyboard Hub / directly from PX710M+ or PX340+
motion sensor information LED	yes
weight	0.1kg
dimensions	width: 80mm height: 80mm depth: 31mm