

Light & movement  
sensor

## Device description

---

PX734 is a light intensity sensor integrated in one module with a motion sensor.

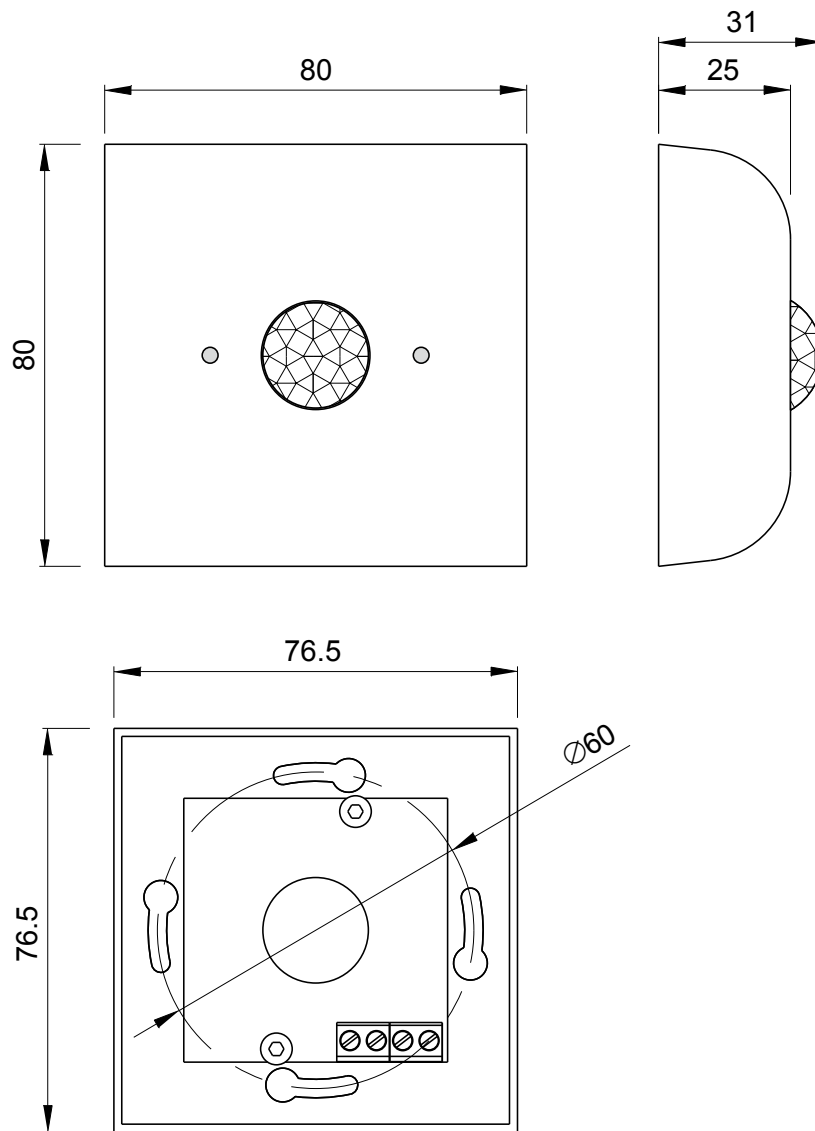
The device can be connected as an additional input module working with the PX340 and PX710M controllers (via PX725 – Keyboard Hub). Is operated through the controller as one analogue and one digital input. The advanced logic of the controller enables the application of signals from the sensor to create complex configurations with a lot dependencies.

The sensor measures lighting intensity continuously. Light & movement sensor has a maximum range of 12m and recognizes the area up to 1000m<sup>2</sup>.

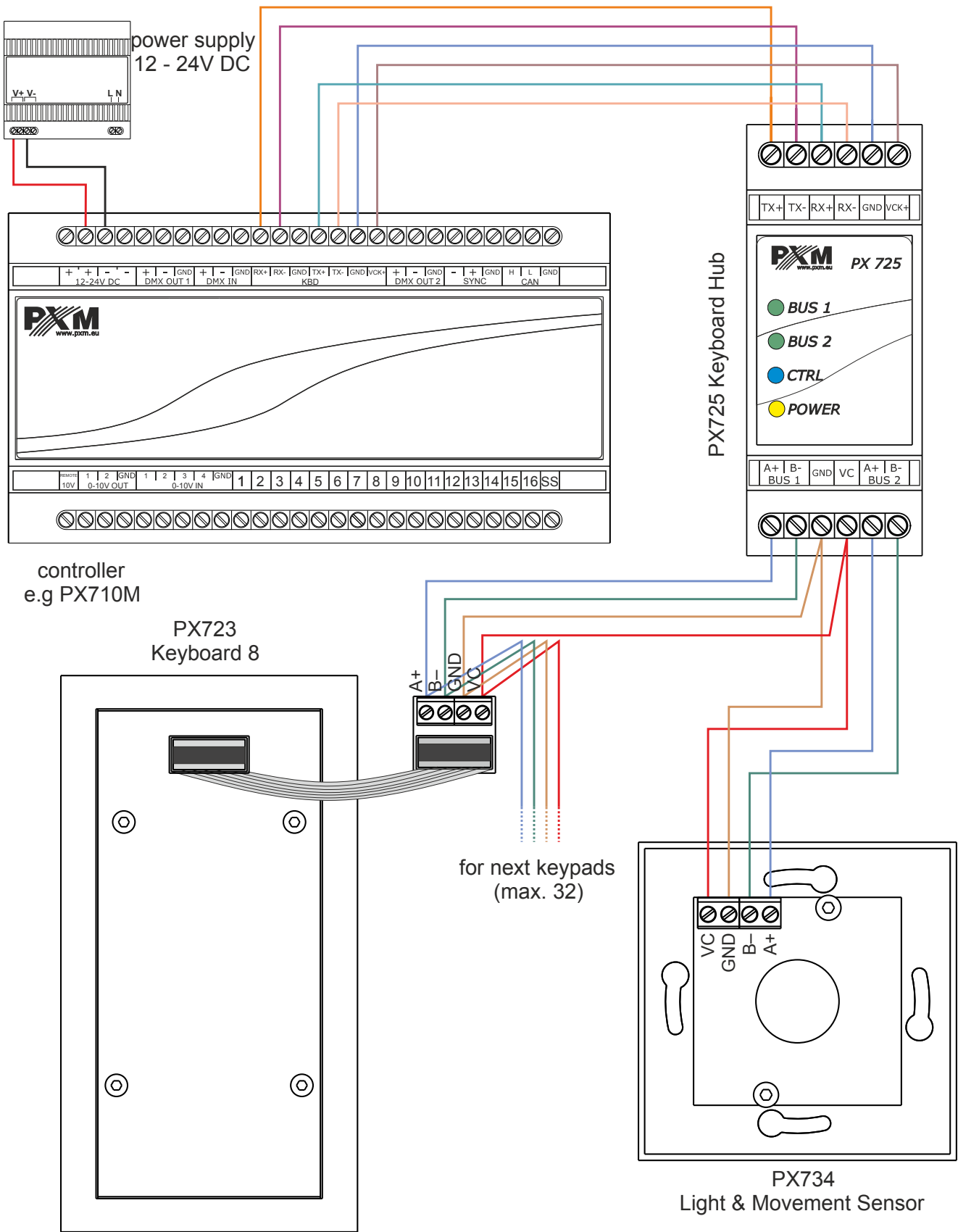
PX734 can work in three different ranges of brightness:

- to work in dark rooms,
- to work in bright rooms,
- to apply outside.

The plastic housing is adapted for easy mounting on the wall or ceiling.



# Connection diagram



## Technical data

---

type	PX734
power supply	12 – 24V DC
horizontal detection angle	102°
vertical detection angle	92°
maximum range	12m
waterproof class	IP20
number of devices	64 (max. 32 for one line PX725)
programming	PxDesigner application
compatible controllers	PX710M, PX340
communication with the controller	PX725 (Keyboard Hub)
motion sensor information LED	yes
weight	0.1kg
dimensions	width: 80mm height: 80mm depth: 31mm