



Device description

PxTech Midpower 230V is a LED lamp dedicated to illuminate the audience in theaters and museum exhibits. It can be also applied to illuminate warehouses, industrial halls, workplaces as well as passageways and evacuation routes.

PX717 lamps are equipped with efficient LED's and is powered from 230V AC. The PX717 is controlled by the DMX-512 protocol and supports the RDM protocol.

The device is produced in two versions of emitted white light: with a constant colour of 4000K or with variable color temperature in the range of 2700 – 5700K.

PxTech Midpower 230V lamps can be operated using DMX smart control and protocol RDM, which contribute to reduced electricity consumption. Variable brightness control is also provided over the 0 to 100% range.

By using the PX277 PxArt+ Settings Controller is possible to set all the parameters and to obtain information on operating time since being last turned on and on operating temperature.

They are designed only for indoor use.

Below is a description of the PX717 model designations with their explanation:

PX717-T-XY-Z

T – mounting:

H – with a handle

[none] – pendant version

X – CRI index:

8 – 80

Z – housing colors:

1 – gray

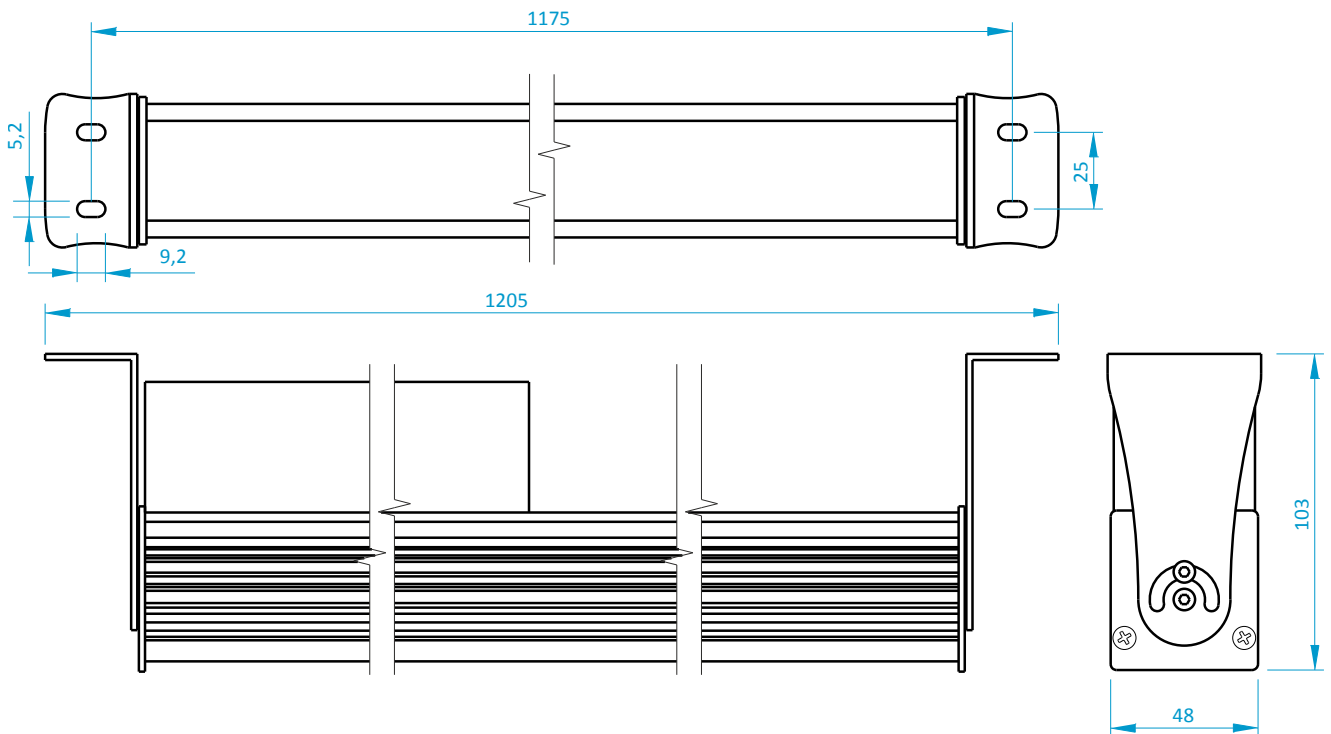
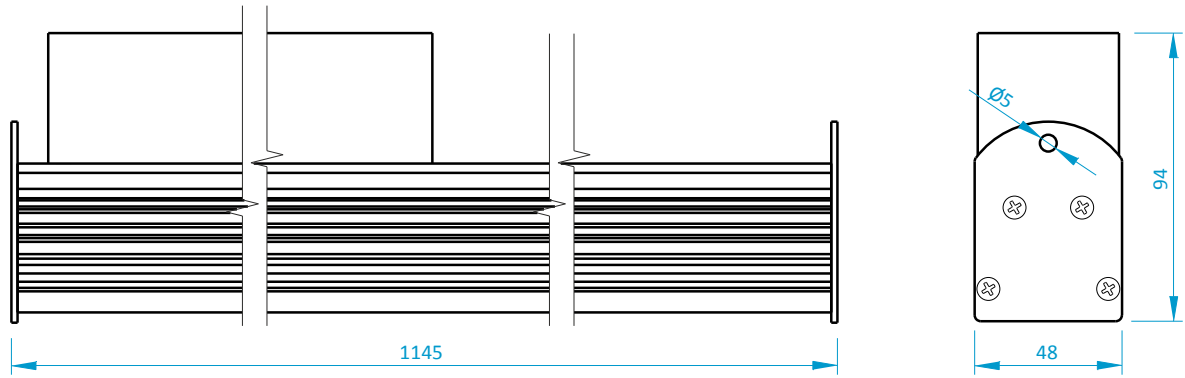
2 – black

3 – white

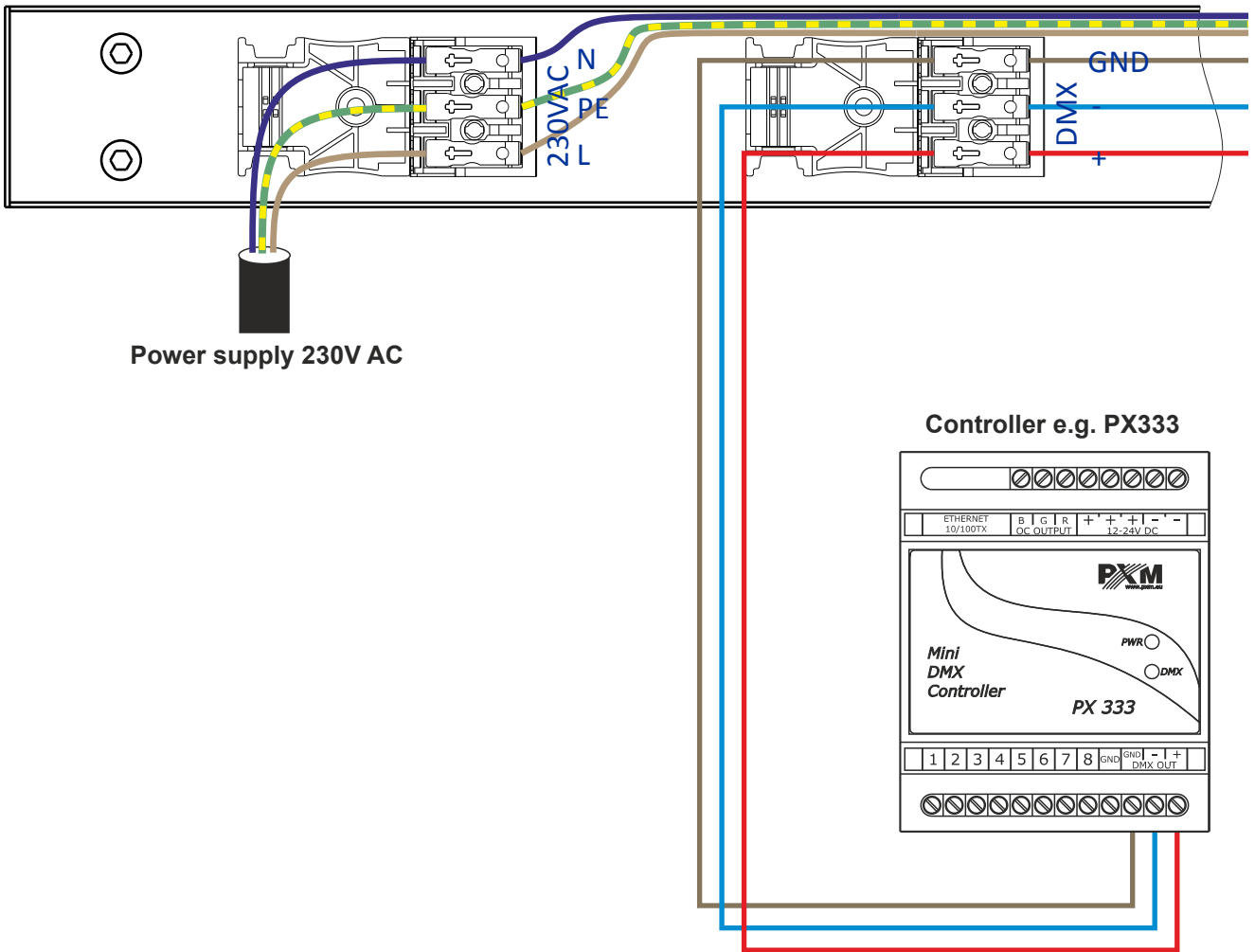
YY – colour temperature:

40 – 4000K

DW – Dynamic White



Connection diagram



Technical data

type	PX717
diode type	Midpower
colour temperature version	4000K* – monochrome version 2700K - 5700K – Dynamic White version
CRI index	min. 80
control	DMX, RDM
power supply	230V AC
power consumption	63W (monochrome version), 52W (DW version)
housing material	aluminum / stainless steel
lamp brightness (a single bar)	monochrome version: 6960lm DW version: 5200lm for 2700K, 5800lm for 5700K
IP rating	IP30
weight	3kg
dimensions	length: 1145mm (1205mm version with holder) width: 48mm height: 94mm (103mm version with holder)

* - upon request, other lamp version are available