



Splitter DMX-RDM

Device description

DMX-RDM signal splitter

This signal splitting device, or DMX-RDM splitter, allows for providing branches in extensive DMX-RDM installations. As connecting multiple, series-connected receivers to form a single chain can be difficult, provision has been made in the design of the splitter to create DMX-RDM line branches. Moreover, the PX716 will amplify and regenerate RDM-DMX signal, removing interference effects, as well as eliminating signal reflections on DMX-RDM lines.

The PX716 will split an input DMX-RDM signal into 4 independent branches. Galvanic isolation is provided between individual outputs themselves as well as from the input, and the outputs are adequately amplified, which ensures proper operation of the entire installation. The PX716 supports the RDM protocol. A maximum of four splitters can be connected in a cascading arrangement.

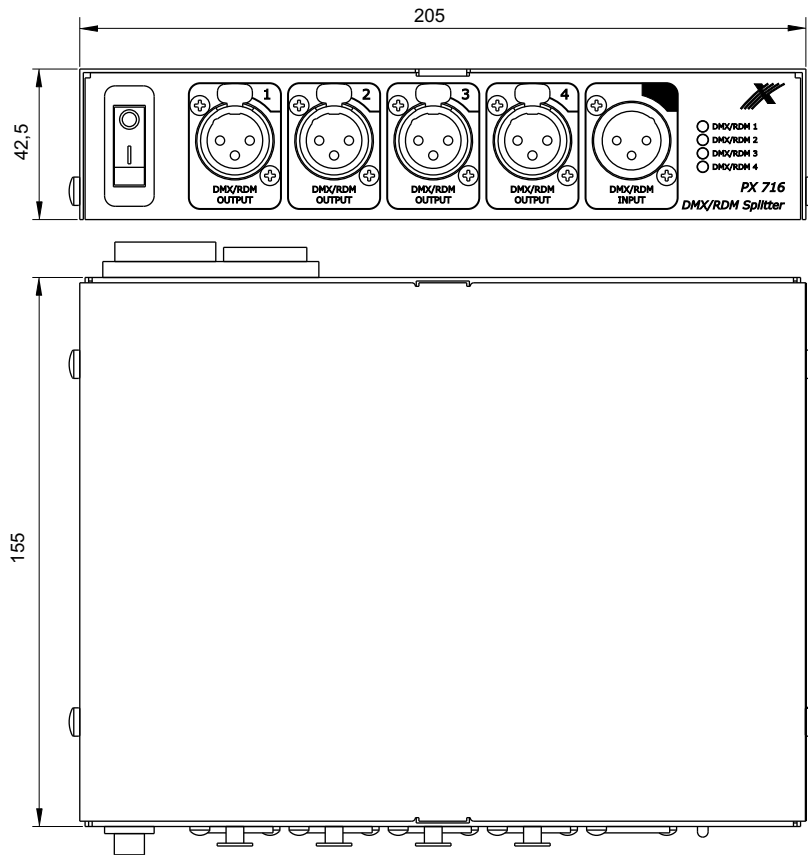
The PX716 splitter has a metal housing. Additional mounting kits are available for installing a single PX716 unit in a RACK system, two units side by side in a RACK system, or for suspending a PX716 from e.g. a truss.

The PX716 is designed to run from 230 V AC mains.

Technical data

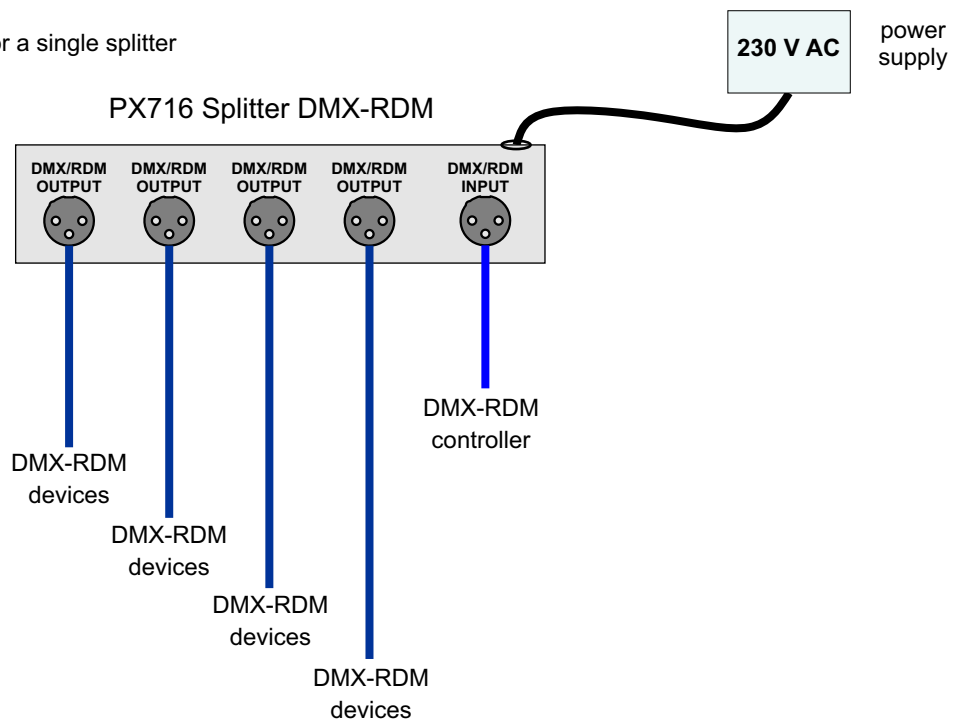
Type:	PX716
DMX-RDM INPUT / OUTPUT lines:	1 / 4
DMX line optical isolation:	yes
Overvoltage protection:	yes
INPUT / OUTPUT insulation breakdown voltage:	>1000 V
DMX signal cable type:	shielded twisted pair
Data cable gauge:	22 or 24 AWG
Data cable impedance:	120 Ω
Maximum length of a signal cable between devices:	500 m (for 22 AWG), 300 m (for 24 AWG)
Maximum number of devices on a single DMX output line:	32
DMX output:	3-pin locking XLR or 5-pin locking XLR
Power supply connector:	PowerCon Neutrik
Additional options:	mounting in a RACK system: a single unit: (D357-H1), a pair: (D357-H2) attaching to a truss: suspension bracket (D357-H3)
Power supply:	230 V AC
Power consumption:	5 W
Weight:	0,92 kg
Dimensions:	Width: 200 mm Height: 42,5 mm Depth: 135 mm

Dimensions - technical drawing



Connection diagram

Example connection arrangement for a single splitter



Mounting systems

D357-H1



- Short side handle
- Long side handle

D357-H2



- 2x short side handle
- connector

D357-H3



- suspension bracket