



## Serial Driver

### Device description

**PX713 is a driver designed to control digital LED strips using the DMX512 protocol**

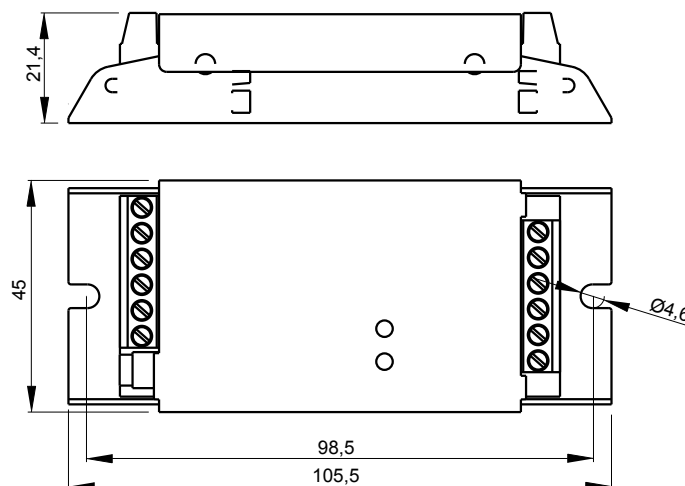
It supports two types of strips: TLC59731 and WS2812B. The driver allows you to directly control each pixel independently.

In addition, it is possible to program "no signal" and "smooth" options. PX713 is designed to be programmed with PX277. Moreover, the driver comes with the RDM protocol implemented.

### Technical data

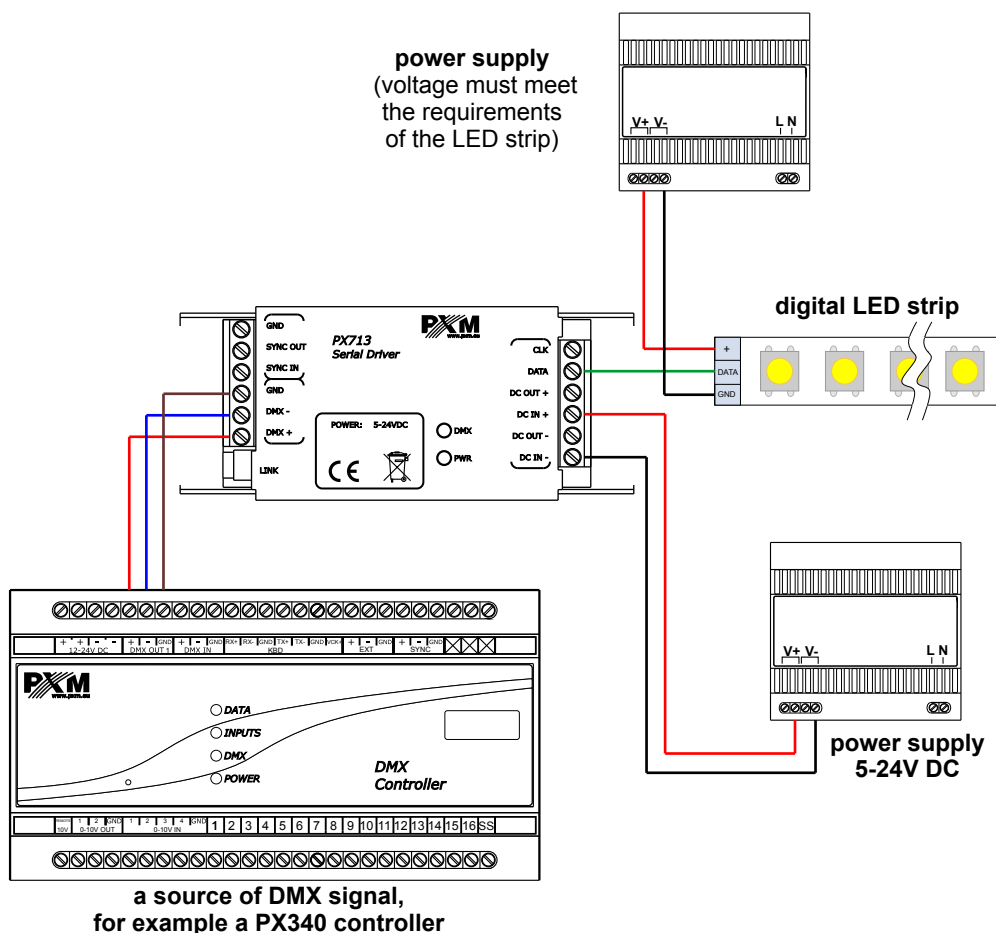
DMX channels:	512
Power supply:	5 - 24 V DC
Current consumption without load:	90 mA for 5 V DC 30 mA for 24 V DC
Programmable scenes:	1
Embedded programs:	1
RDM support:	yes
Programming:	using PX277
Types of strips supported:	WS2812B, TLC59731
Output connectors:	terminal block
Weight:	0,06 kg
Dimensions:	length: 105,5 mm width: 45 mm height: 21,4 mm

### Dimensions - technical drawing



## Connection diagram

a) connecting power from two sources, separately to the digital LED strip and to the driver



b) connecting power from one shared source to the digital LED strip and to the driver

