



Device description

PxArt+ Mono Ceiling is a professional LED illuminator designed to illuminate museum or exhibition displays.

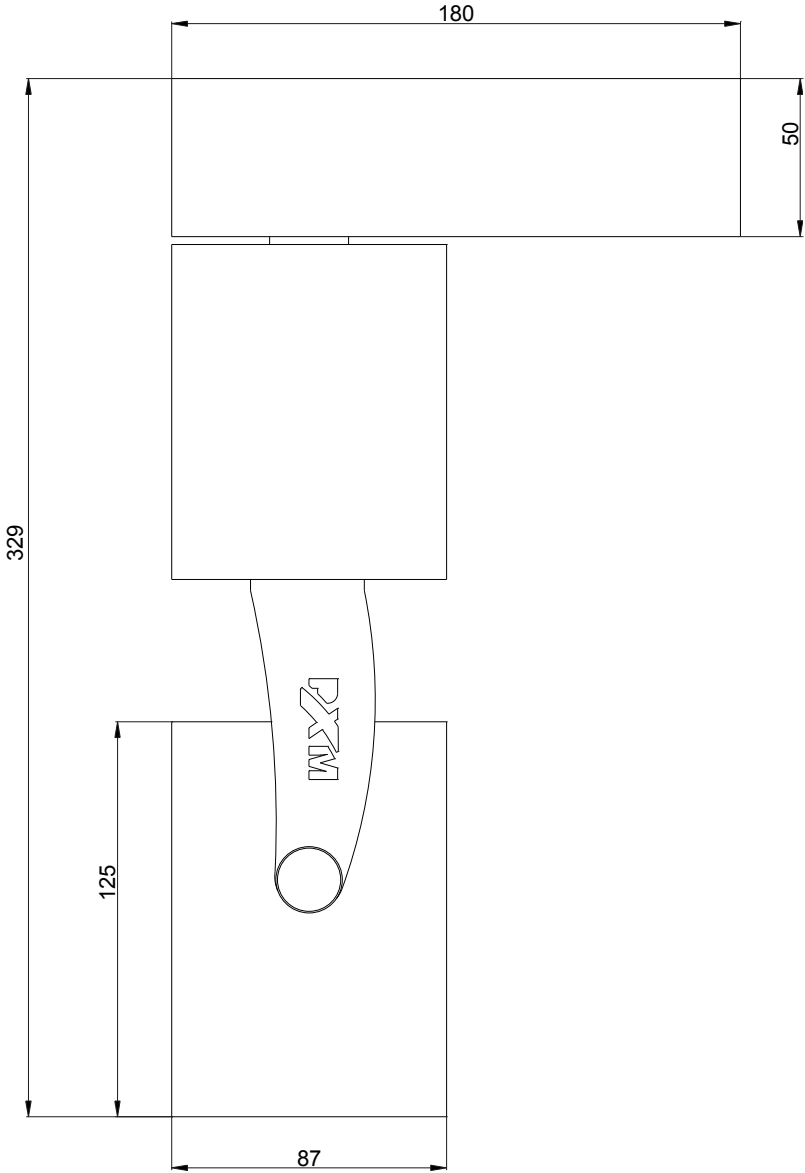
By using semiconductor light sources SSL LED COB type and advanced control electronics, a high-class illuminator has been created that meets very high requirements concerning museum and exposition lighting. Its most advantages include the total lack of ultraviolet radiation, trace amounts of infrared radiation, very high CRI color rendering index, high brightness and low energy consumption.

The device has a handle that allows it to be mounted directly to the ceiling. An individual address assigned to each lamp allows to adjust its brightness independently of the settings of other lamps. Thanks to the button placed on the housing, it can also be manually controlled (e.g. when the lamp is installed in an installation without DMX512 control).

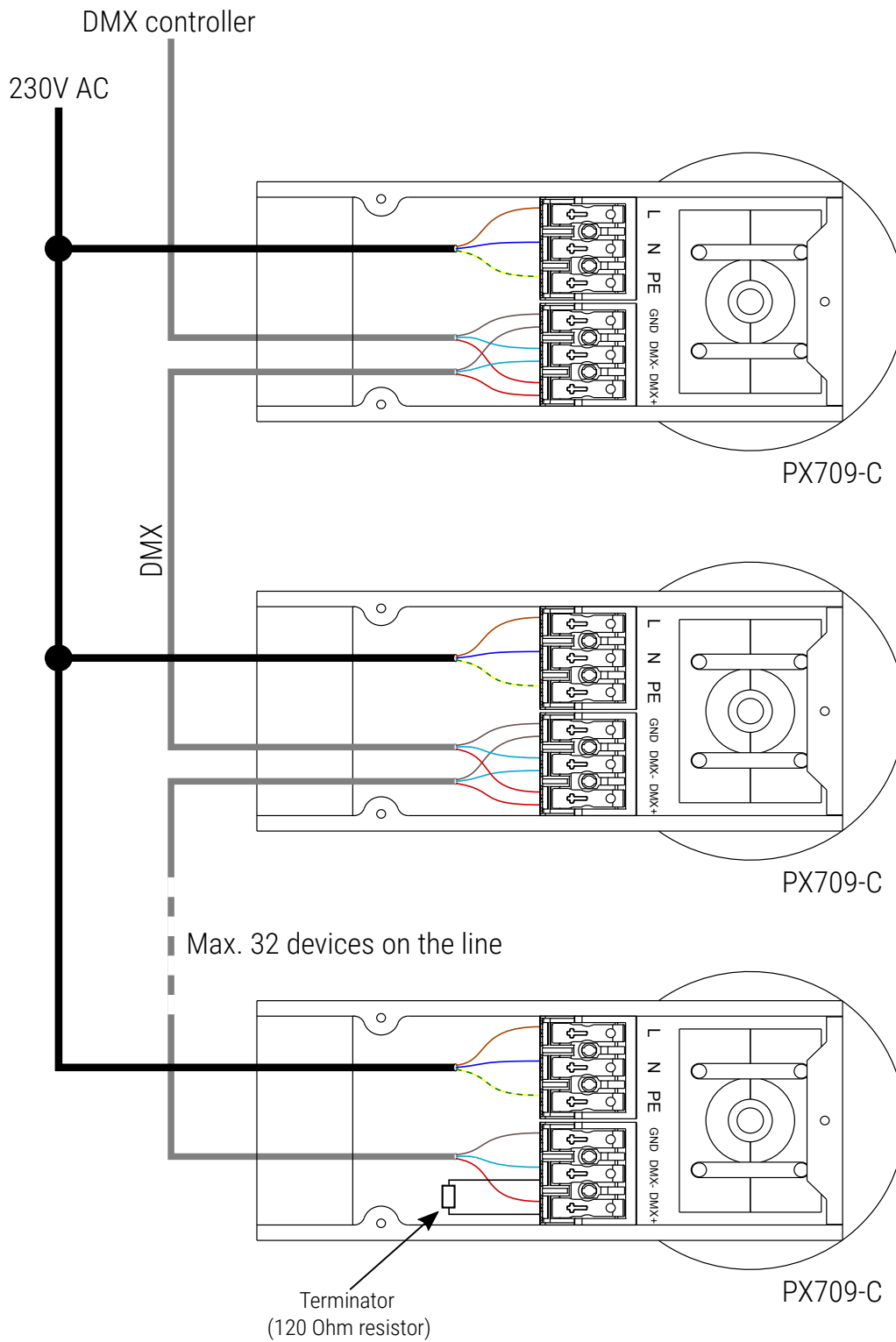
The lamp uses a highly efficient LED diode and an effective control system, thanks to which the lamp emits a small amount of heat.

The lamp housing allows to change the lighting direction in two axes.

Additional accessories are available for purchase: side diaphragms, honeycomb and an additional lens.



Connection diagram



Technical data

type	PX709-C
power supply	230V AC
number of LEDs	1 (COB)
power	27W
PF (power factor)	0.94
max. increase of the housing temperature	+50°C
color rendering index CRI	min. 80
lifetime of diodes	50000h
reflector angles*	15°, 36°, 51°
brightness adjustment range	0 – 100%
control	DMX / RDM
mounting	to the ceiling
available housing colors	gray, black, white
weight	1.3kg
dimensions	width: 180mm height: 329mm diameter: 87mm

* – the user can replace the headlamp on his own, according to his own needs (a different headlamp must be ordered separately)

PxArt+ Mono	CRI (minimum)	CCT [K]**	Brightness [lm]
PX709-C-X30	95	3000	1090
PX709-C-930*	90	3000	1850
PX709-C-950	90	5000	2215
PX709-C-830	80	3000	2385
PX709-C-850	80	5000	2420

* – product available as standard – other versions available on request

** – other values available on request

Lighting parameters

