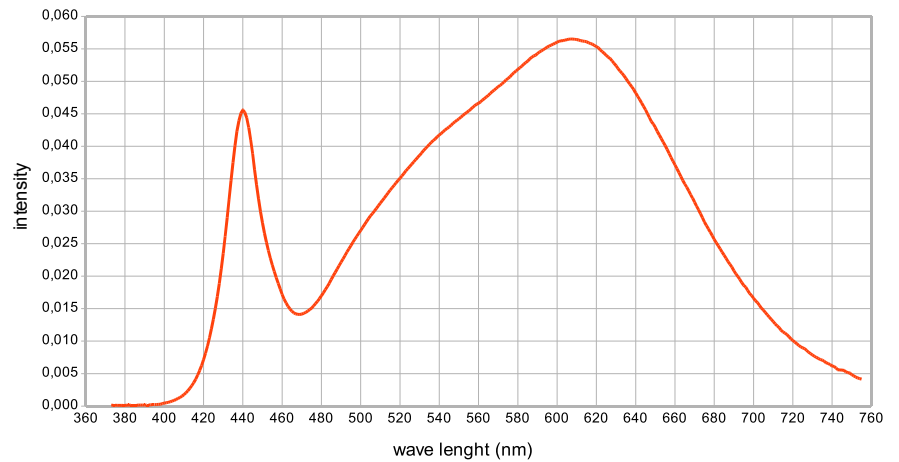




Spectral characteristics of emitted light



## Product description

**PxArt+ 6 is a professional LED illuminator designed for illumination of museum exhibitions or displays.**

Thanks to the application of the most modern semiconductor SSL LED light sources and advanced control electronics, a high class illuminator was created which meets very high requirements for museum and exhibition lighting. Its most important advantages include a complete lack of ultraviolet radiation emission, trace amounts of infrared radiation, a very high factor of CRI colour capturing, smooth adjustment of colour temperature of emitted light, large brightness and small energy consumption.

The device features a base which allows for mounting it in GLOBAL Trac® Pulse control bus bars, provided with an additional control line.

Two individual addresses allocated to each lamp allow for independent adjustment of its brightness and colour temperature, regardless of the settings of other lamps.

Through push buttons located on the lamp casing it is possible to operate it manually (e.g. in case of connecting the lamp to bus bars without a control line).

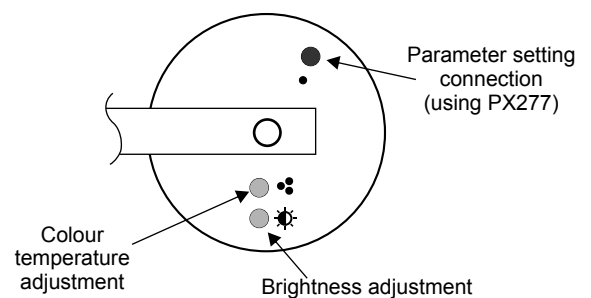
Highly-effective LEDs made by Osram Osolon® are used in the lamp with an efficient control system, through which the lamp emits small amounts of heat.

The lamp casing renders it possible to change the direction of its beaconing in two axes.

## Technical Data

Type:	PX390
Power:	230V AC
Number of LEDs:	6
Power input:	10 W
Max. increase of the housing temp.:	+ 30° C
Luminous flux:	600 lm
Lifetime of diodes:	50 000 h
Angles of reflectors:	10°, 20°, 30°, 40°, EL
Colour temperature:	2700÷4500 K
Brightness regulation extension:	0÷100%
CRI colour rendering index:	min. 90
Control protocol:	DMX-512 / RDM
Available housing colours:	Grey, black and white
Weight:	1,3 kg
Dimensions:	Width: 134 mm Height: 225 mm Diameter of the reflector: 92 mm

Manual control push buttons and lamp parameter setting socket

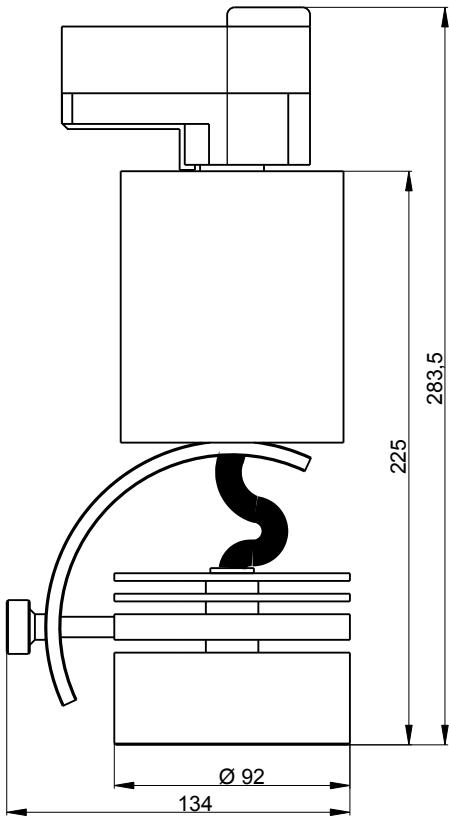


Programmed scenes:	1
Number of control channels:	2 (brightness and colour temperature)
Fixing:	GLOBAL Trac® Pulse control bus bar
Manual control:	yes
Signal control lamp DMX-512:	yes
Individual channel addressing function:	yes

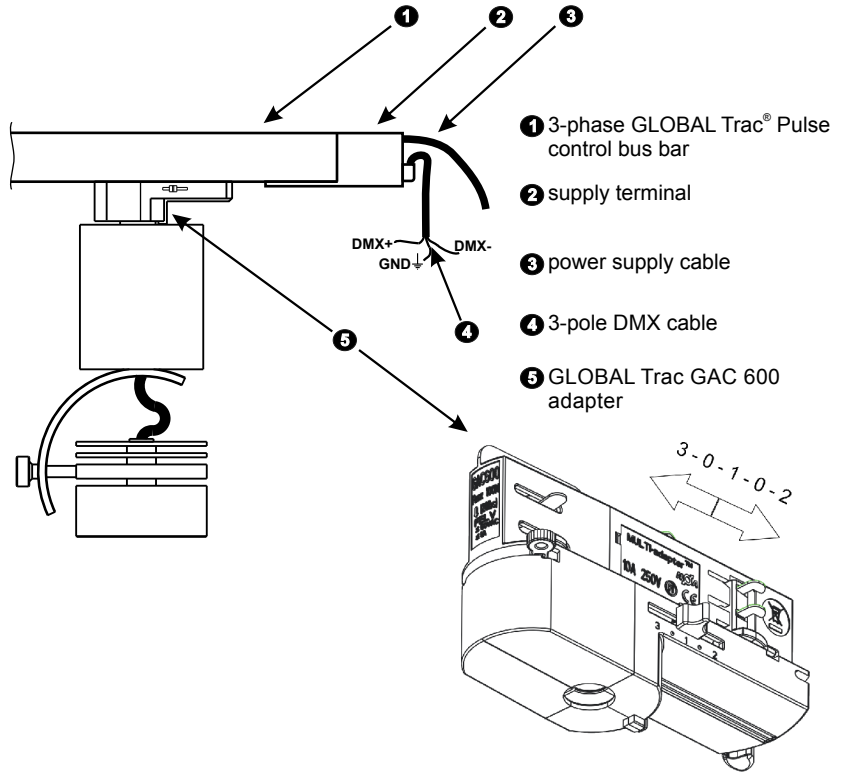
The lamp is also available in the RGB version on order.

Technical drawing

Connection diagram



Dimensions in millimetres



Angles of luminous flux distribution

Light parameters:  
Beaconing angle

