



DATA SHEET

PX390

PxArt+ 6

Device description

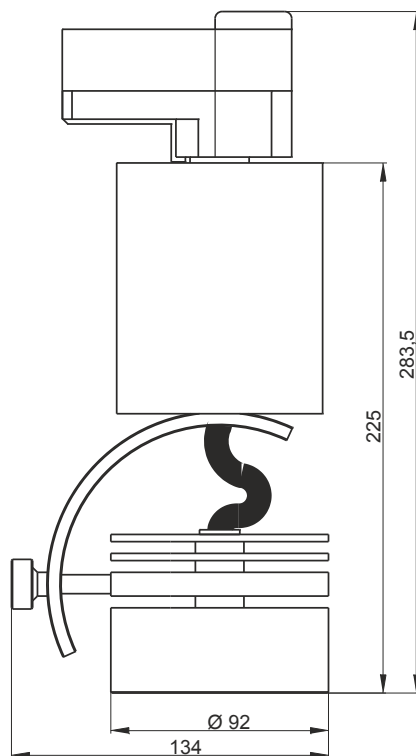
PxArt+ 6 is a professional LED illuminator designed for illumination of museum exhibitions or displays. Thanks to the application of the most modern semiconductor SSL LED light sources and advanced control electronics, a high class illuminator was created which meets very high requirements for museum and exhibition lighting. Its most important advantages include a complete lack of ultraviolet radiation emission, trace amounts of infrared radiation, a very high factor of CRI color capturing, smooth adjustment of colour temperature of emitted light, large brightness and small energy consumption.

The device features a base which allows for mounting it in GLOBAL Trac® Pulse Control bus bars, provided with an additional control line.

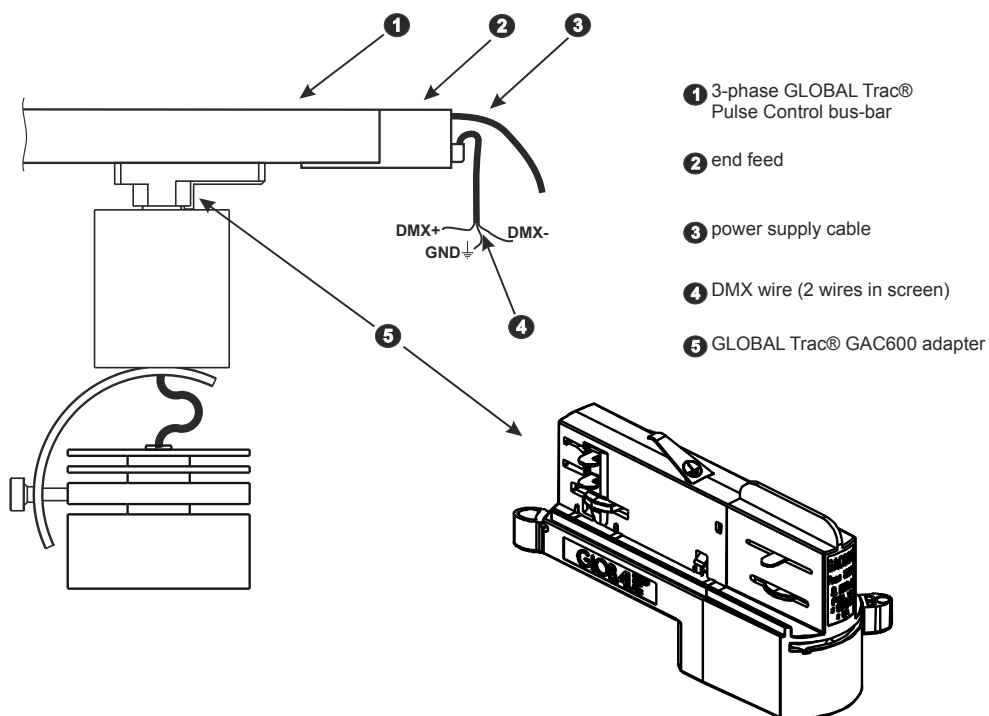
Two individual addresses allocated to each lamp allow for independent adjustment of its brightness and color temperature, regardless of the settings of other lamps. Through push buttons located on the lamp casing it is possible to operate it manually (e.g. in case of connecting the lamp to bus bars without a control line).

Highly-effective LEDs made by Osram Oslon® are used in the lamp with an efficient control system, through which the lamp emits small amounts heat.

The lamp casing renders it possible to change the direction of its beacon in two axes.



Connection diagram



Technical data

type	PX390
power supply	230V AC
number of diodes	6
power consumption	10W
max. temperature rise housing	+30°C
luminous flux	600lm
LEDs lifespan	50000h
beam angle	10°, 20°, 30°, 40°, EL (10 x 45°)
colour temperature	2700 – 4500K (6000K on order)
range of brightness adjustment	0 – 100%
CRI index	min. 90
control	DMX, RDM
programmable scenes	1
mounting	GLOBAL Trac® Pulse Control
available housing colors	silver, black, white
weight	1.3kg
dimensions	height: 225mm diameter: 92mm

Below is a description of the PX390 model designations with their explanation:

PX390-XX-YY-Z

XX – beam angle:

10 – 10°
20 – 20°
30 – 30°
40 – 40°
EL – elliptical lenses

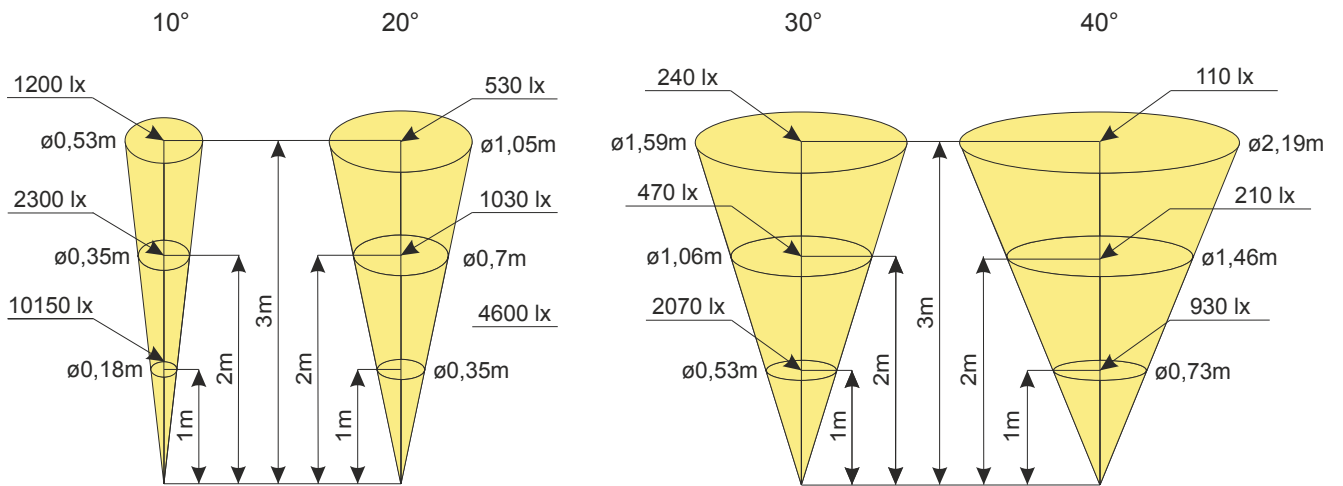
YY – colors of used LED diodes:

MW – multi white
MC – RGB

Z – housing colors:

1 – gray
2 – black
3 – white

Light parameters



Spektral characteristics of the emitted light (Multi White LED diodes)

