



Device description

PxArt+ Frame is a professional cropping LED illuminator for the lighting of museums exhibitions or trade fair displays.

The precision cropping system allows you to control the luminous flux and adjust the illumination range to the size and position of the displayed object.

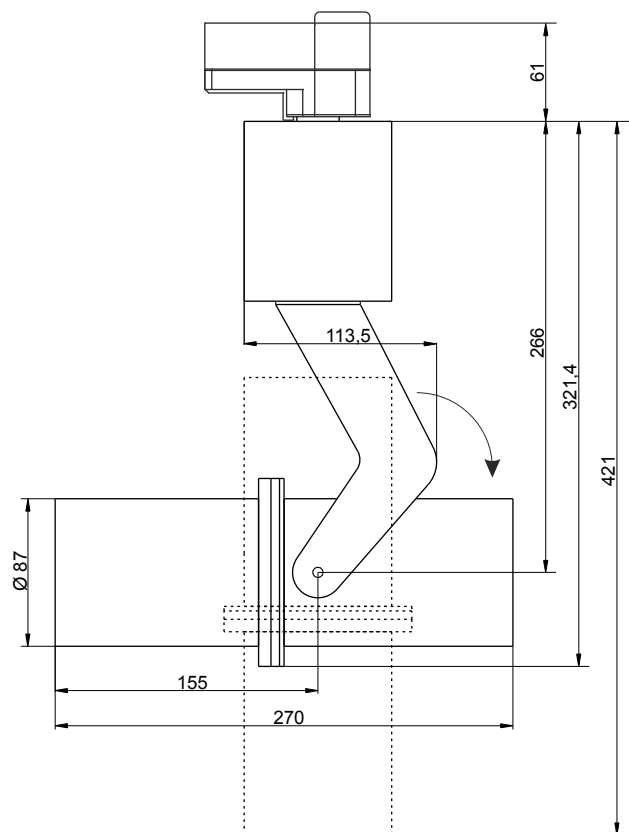
Thanks to the application of the latest semiconductor COB type SSL LED light source and advanced control electronics, a high performance illuminator was made, which fulfills very high demands concerning museum exhibition and trade display lighting applications. Its most important advantages include the possibility of precise cropping of the displayed objects, total lack of ultraviolet radiation emission, traces of infrared radiation, very high color rendering index (CRI), and very large brightness at low energy consumption.

The device features a holder allowing for its quick assembly on GLOBAL Trac[®] Pulse Control tracks. An individual address assigned to each illuminator allows for adjustment of brightness regardless of the settings of other illuminators.

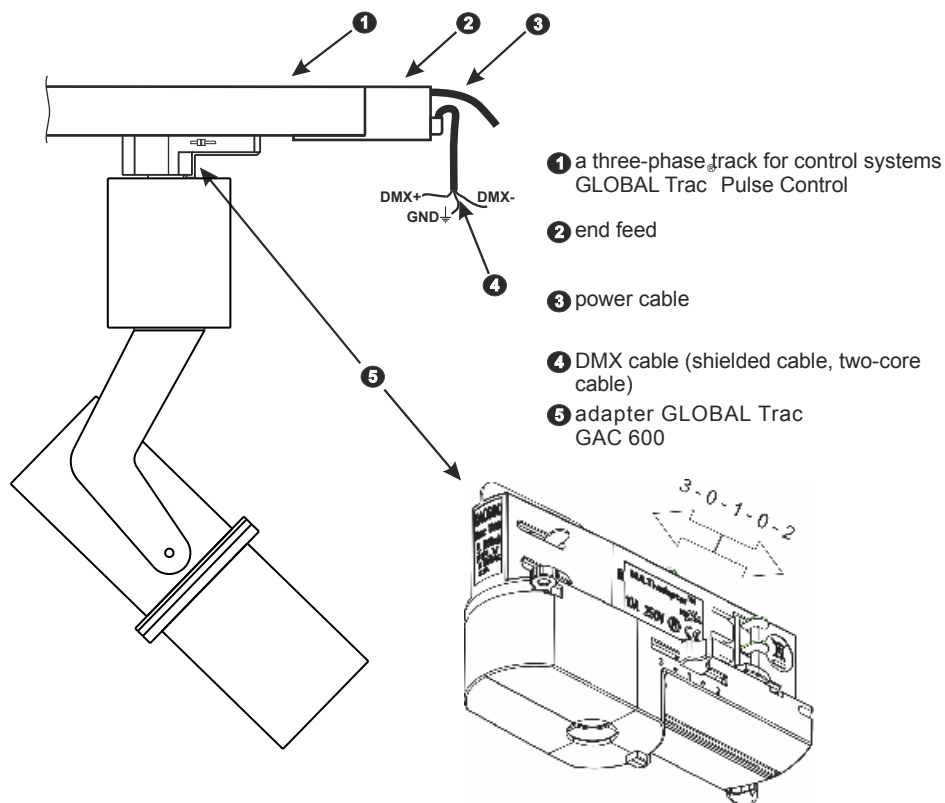
Thanks to the press buttons located on a lamp housing, it is also possible to control the illuminators manually (e.g. in case of connecting a lamp to a frame without the control lines).

A high output LED was used in the lamp with an effective control system. Thanks to this, the lamp features small heat emission.

By using an additional PX277 device (PxArt+ Settings Controller), you can set all parameters of the device and read the information on the time and temperature of the lamp. The PX378 illuminator supports the RDM protocol.



Connection diagram



Technical data

type	PX378
power supply	230V AC
number of LEDs	1 (COB)
power	27W
PF (power factor)	0,94
max. increase of the housing temperature	+50°C
CRI index	min. 80
lifetime of diode	50 000h
cropping area	max. 1,35 x 1,35m (at distance 3m)
brightness regulation extension	0 – 100%
control protocol	DMX-512 / RDM
available housing colors	gray, black, white
smoothing function (smooth)	yes
number of control channels	1 (brightness)
fixing	GLOBAL Trac® Pulse Control bus bar
manual control	yes
DMX-512 signal indicator	yes
weight	2.3kg
dimensions	width: 113,5mm (270mm for the horizontal headlight) height: 421mm diameter of the reflector: 87mm

Below is a description of the PX378 model designations with their explanation:

PX378-YYY-Z

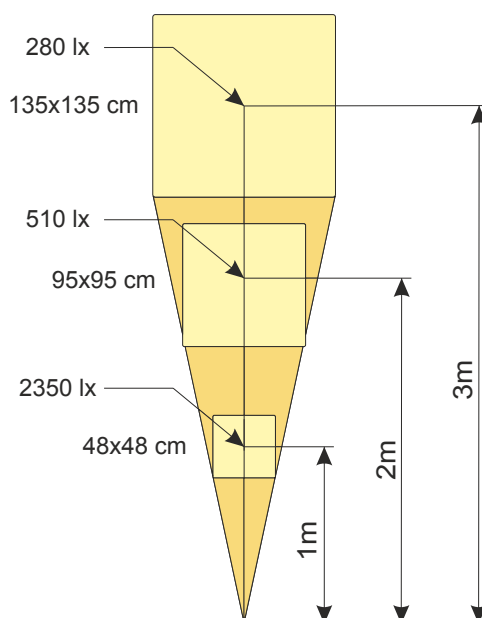
<u>X – CRI index:</u>	<u>YY – color temperature:</u>	<u>Z – housing colors:</u>
X – 95	30 – 3000K	1 – gray
9 – 90	50 – 5000K	2 – black
8 – 80		3 – white

Table showing the differences between the versions PX378:

PxArt+ Frame	CRI (min.)	CCT (K)	Brightness (lm)
PX378-X30	95	3000	980
PX378-930*	90	3000	1660
PX378-950	90	5000	1990
PX378-830	80	3000	2140
PX378-850	80	5000	2170

* – highlighted version is available as standard, other on request (other values available on special order)

Light parameters



Spektral characteristics of the emitted light

