



Device description

PX376 is a multimedia player controlled by DMX protocol. The player allows to play the video files in Full HD, audio files and images. In case of the loss of DMX signal, it can operate independently according to the pre-programmed settings. The device is equipped with DMX input and output, 4 USB ports, HDMI and micro USB interface.

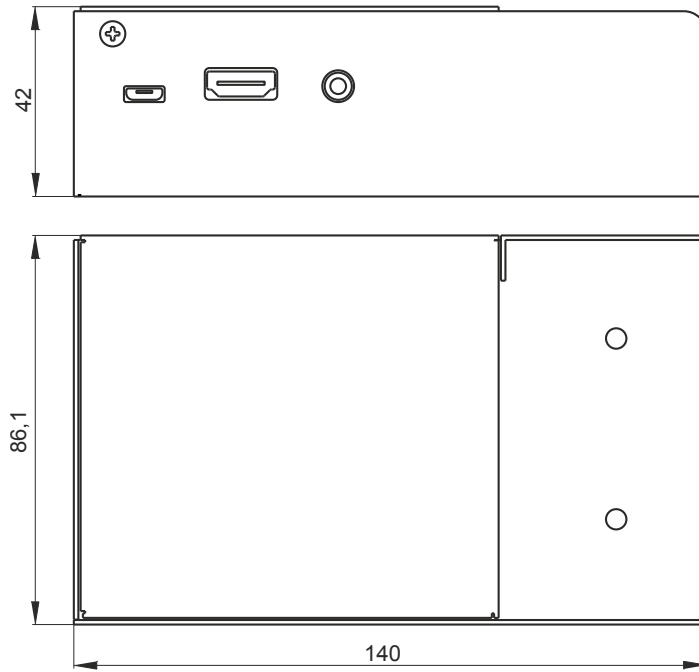
The device comes with a PC application which allows to create configuration and prepare USB memory on which media files are stored.

It is possible to upload and download configurations and multimedia files via a network. The connection is protected with a password. It is also possible to reset the device in a remote mode.

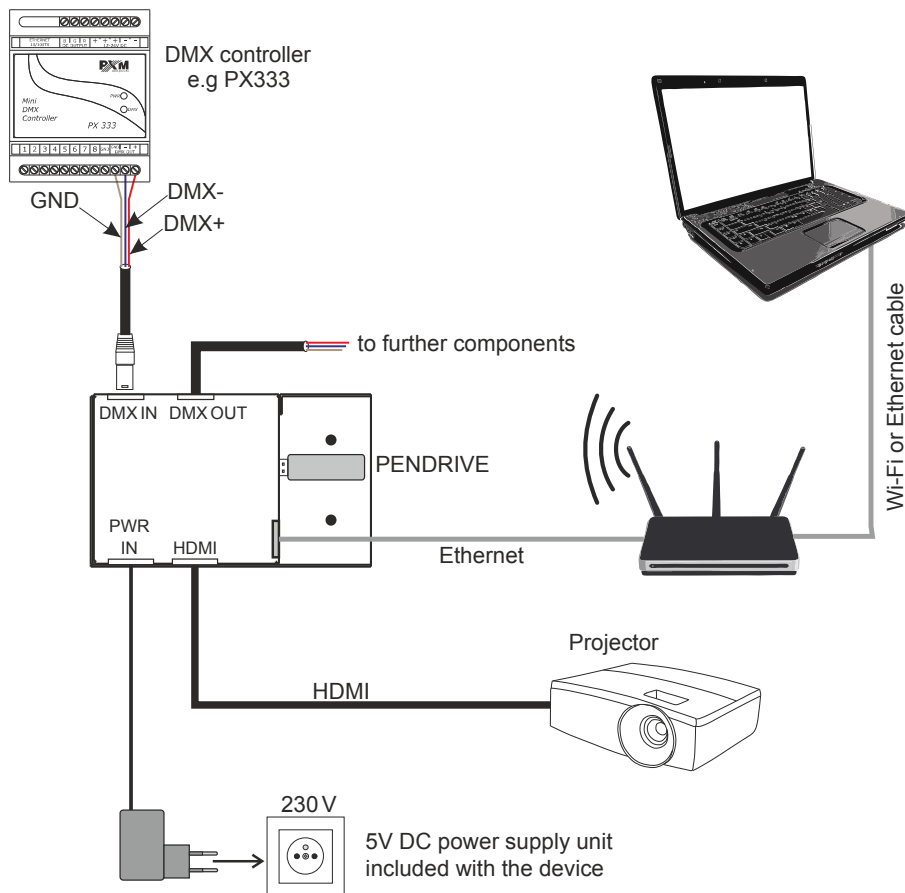
A micro USB interface is used to supply power to the device (through the power supply unit included with the device).

Connect a properly formatted USB memory, containing a configuration file and files to be played, to one of the USB ports.

Technical drawing



Connection diagram



Technical data

type	PX376
control	DMX-512 protocol, UDP
optical isolation of DMX line	yes
supported file formats	mkv, avi, mpeg, mp4, ogg, wmv, mpg, mp3, wav, jpg, jpeg, png
number of supported files	max. 85
image quality	Full HD (1920 x 1080p)
power supply	5V DC (power supply unit included)
power consumption	10W
max. current consumption	2A
HDMI output	yes
Ethernet connector type	yes, 10/100Base TX
USB ports	4
DMX input / output	2 slots 3-pin XLR
housing	metal
weight	0,45kg
dimensions	width: 140mm height: 86,1mm depth: 42mm