



Device description

PxTech Power LED 230V is a LED lamp dedicated to illuminate the audience in theaters and museum exhibits. It can be also applied to illuminate warehouses, industrial halls, workplaces as well as passageways and evacuation routes.

This light is equipped with 28 efficient LEDs fed and is powered from 230V AC. The PxTech lamp is available in different white light versions: 2700K, 3000K, 4000K, 5000K, 6500K. Variable brightness control is also provided over the 0 to 100% range.

There are two mounting options for the unit: pendant mount and foot mount.

PxTech lamps can be operated using DMX smart control and protocol RDM, which contribute to reduced electricity consumption.

By using the PX277 PxArt+ Settings Controller is possible to set all the parameters and to obtain information on operating time since being last turned on and on operating temperature.

They are designed only for indoor use.

Below is a description of the PX356 model designations with their explanation:

PX356-T-WW-YYY-Z

T – mounting:

H – with a handle

[none] – pendant version

X – CRI and color temperature:

927 – CRI 90, 2700K

930 – CRI 90, 3000K

940 – CRI 90, 4000K

950 – CRI 90, 5000K

965 – CRI 90, 6500K

WW – beam angle:

10 – 10°

25 – 25°

50 – 50°

EL – elliptical lenses

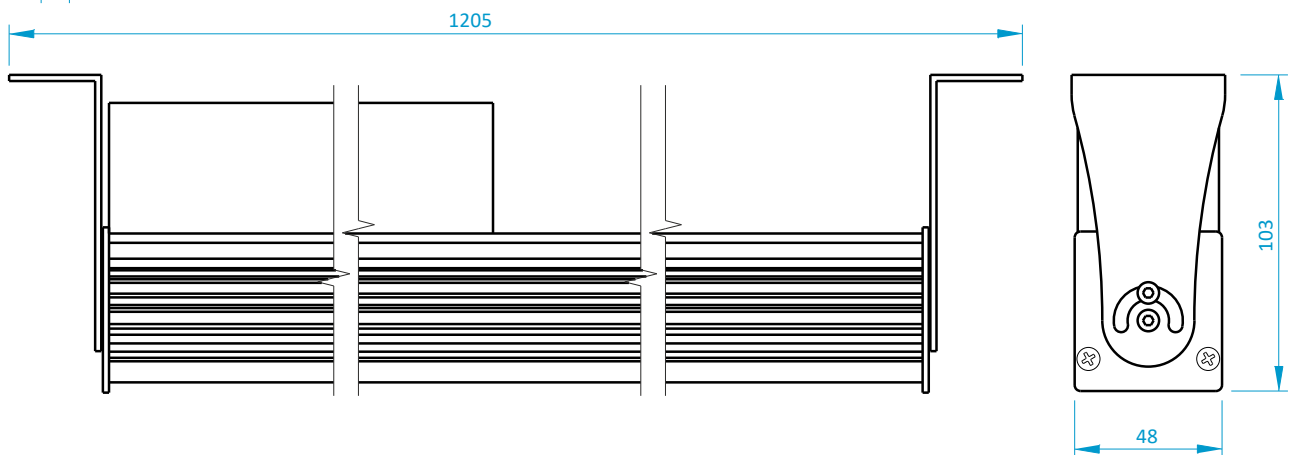
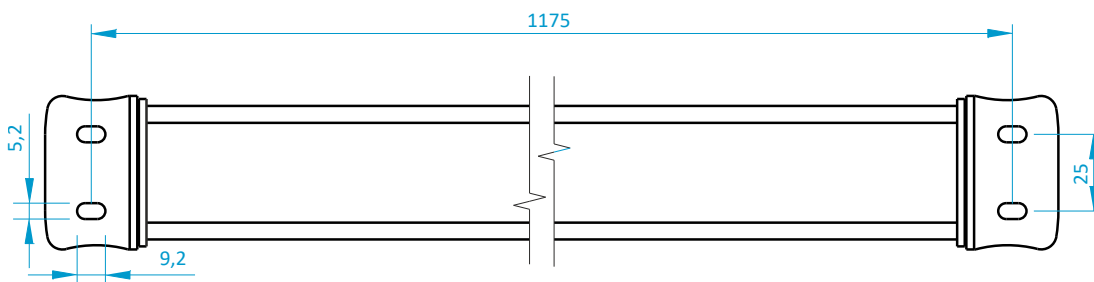
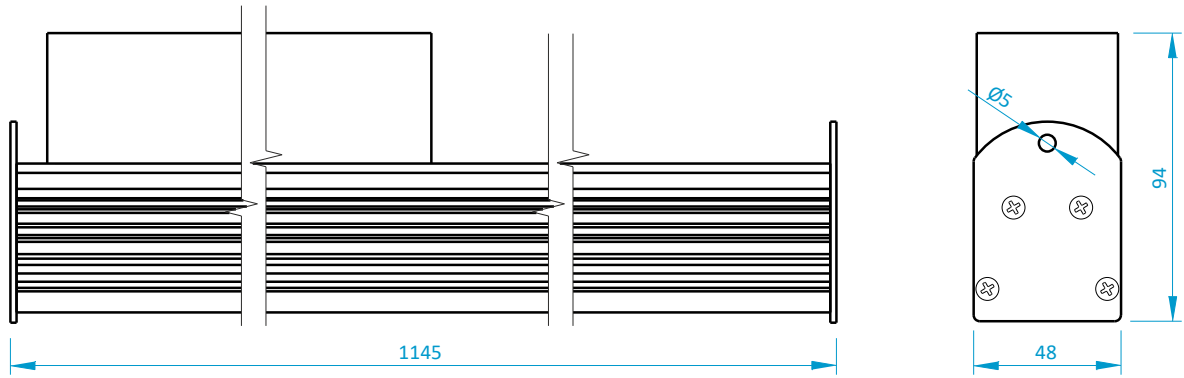
80 – 80° (reflector)

Z – housing colors:

1 – gray

2 – black

3 – white



Technical data

type	PX356
number of diodes	28
diode type	Power LED
beam angle	10°, 25°, 50°, 80°, EL
color temperature version	2700K, 3000K, 4000K, 5000K, 6500K
CRI index	min. 90
brightness adjustment range	0.01 – 100%
control	DMX, RDM
power supply	230V AC
housing material	aluminum / stainless steel
lamp brightness (a single bar)	min. 5500lm
IP rating	IP30
weight	3kg
dimensions	length: 1145mm (1205mm version with holder) width: 48mm height: 94mm (103mm version with holder)