



Device description

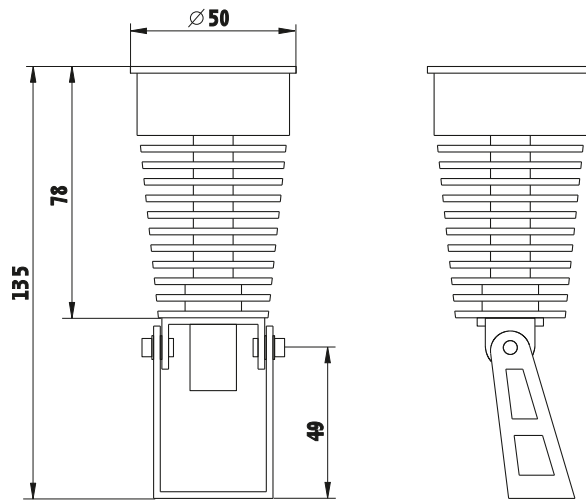
PxSpot 3+H 12V lamps is designed to illuminate the stage lighting, it can also be used to illuminate interiors and architectural details.

The light source in the PX351 are three high-performance Osram Oslon® LEDs with a power of ~3W each. They are mounted on a heat sink to protect them from overheating. They are equipped with optics with different lighting angles. The lamp can be equipped with LEDs: 2700K, 3000K, 4000K, 5000K, 5700K.

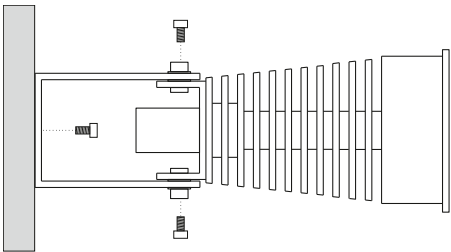
The lamp is powered by 12V DC. In order to run it, use a voltage driver or voltage power supply. In case of using a voltage driver, e.g. PX254, it is possible for dimming the lamp.

The PX351 is produced in a built-up version with a handle. The device is supplied with a 2m cable.

Technical drawing



Mounting



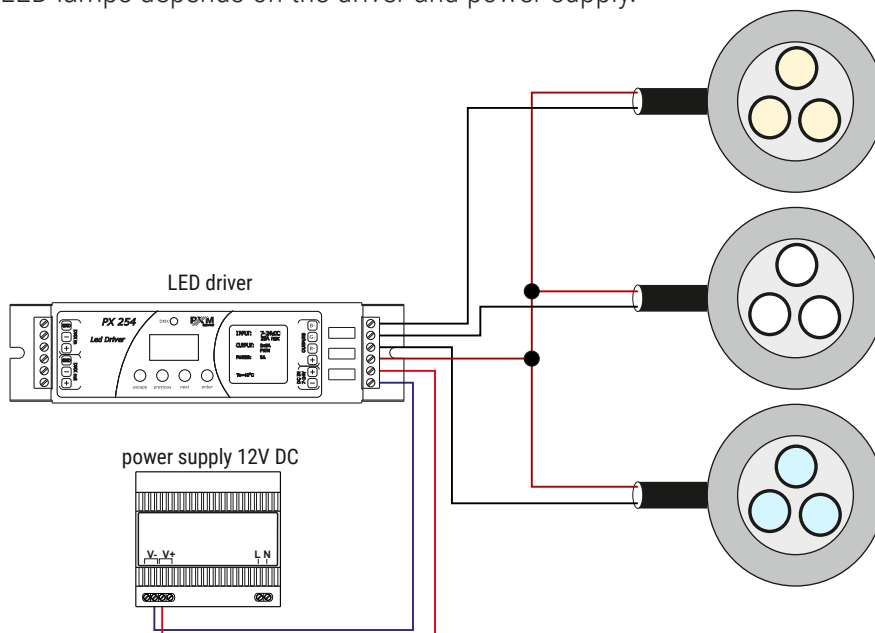
The lamp is attached to the holder with two M4 Allen screws and can be rotated vertically.
The handle is attached to the ground with one M5 screw, which in turn allows for rotation in the horizontal plane.

Connection diagram

Sample connection of the PX351 to a PX254 driver.

The cables should be connected in the correct color order. For example, the red wire with the + terminal and the black wire with the R- / B- / G- terminal.

The number of LED lamps depends on the driver and power supply.



Technical data

type	PX351
power supply	12V DC
number of LEDs	3
current consumption	700mA
lenses	10°*, 25°, 40°*
LED colors	2700K, 3000K, 4000K, 5000K, 5700K
brightness (25° / 1m)	~1500lx
weight	0.25kg
dimensions	diameter: 50mm height: 135mm

* - available on request