

PX350

PxSpot

3H 12V

User manual



Table of Contents

1 Description.....	3
2 Safety conditions.....	4
3 Information on version.....	6
4 Connection scheme.....	7
5 Mounting.....	8
6 Dimensions.....	8
7 Technical data.....	9

Manufacturer reserves the right to make modifications in order to improve device operation.

PXM Marek Źupnik sp.k.
Podłęże 654
32-003 Podłęże
BDO register number 000005972

tel. +48 12 385 83 06
mail: info@pxm.pl
www.pxm.pl

Rev.1-0
03.08.2020

1 Description

PxSpot 3H 12V lamps is designed to illuminate the stage lighting, it can also be used to illuminate interiors and architectural details.

The light source in the PX350 are three high-performance Osram Oslon® LEDs with a power of ~3W each. They are mounted on a heat sink to protect them from overheating. They are equipped with optics with different lighting angles. The lamp can be equipped with LEDs: 2700K, 3000K, 4000K, 5000K, 5700K.

The lamp is powered by 12V DC. In order to run it, use a voltage driver or voltage power supply. In case of using a voltage driver, e.g. PX254, it is possible for dimming the lamp.

The PX350 is produced in a built-up version with a handle. The device is supplied with a 2m cable.

2 Safety conditions

Before installing, connecting and using the lamp you have to absolutely read this document.

The following symbols are used to underline important information on security conditions on the product and in this manual.



Danger!
Risk of loss of life and health.



Warning!
Fire hazard.



Warning!
LED light emission.
The risk of eye damage.



Warning!
The risk of burns.



Warning!
Read the instruction manual.

Caution!

Do not look at the LEDs, LEDs can cause damage or eye irritation. Do not look at the light source with any optical devices that focus the light rays.



Light is harmful to unprotected eyes, can cause irritation, eye damage or even loss of eyesight.



While working outdoors in normal conditions, the housing unit can heat up to +65°C. Make sure that accidental contact with the device during use is impossible.



In case of improper usage of the product it may cause a risk of serious injury or death because of the threat of fire.

During its installation and use PX350 the following rules must be strictly observed:

1. Installation should be performed by a person holding the appropriate qualifications, according to the instruction manual.
2. Lamp may only be connected to stabilized voltage with current-carrying capacity compatible with technical data.
3. All the conductors should be protected against mechanical and thermal damage.
4. In the event of damaging any conductor, it should be replaced with a conductor of the same technical data.
5. All repairs and connections of outputs can only be made with cut off power supply.
6. Do not connect to the power supply to device with visible damage.
7. All sudden shocks, particularly dropping, should be avoided.
8. The device cannot be used in places with temperature lower than +2°C or higher than +40°C.
9. Clean with damp duster only.

3 Information on version

The PX350 lamp is available in several versions that differ in the angle of the lenses used and the color of the LEDs.

Below there is a description of designation of the PX350 models and their explanation:

PX350 – XX – YYY – Z

XX – lens angle:

10 – 10°

22 – 22°

40 – 40°

YYY – CRI and color LEDs:

927 – CRI 90, 2700K

930 – CRI 90, 3000K

940 – CRI 90, 4000K

950 – CRI 90, 5000K

957 – CRI 90, 5700K

Z – housing color:

1 – gray

2 – black

3 – white

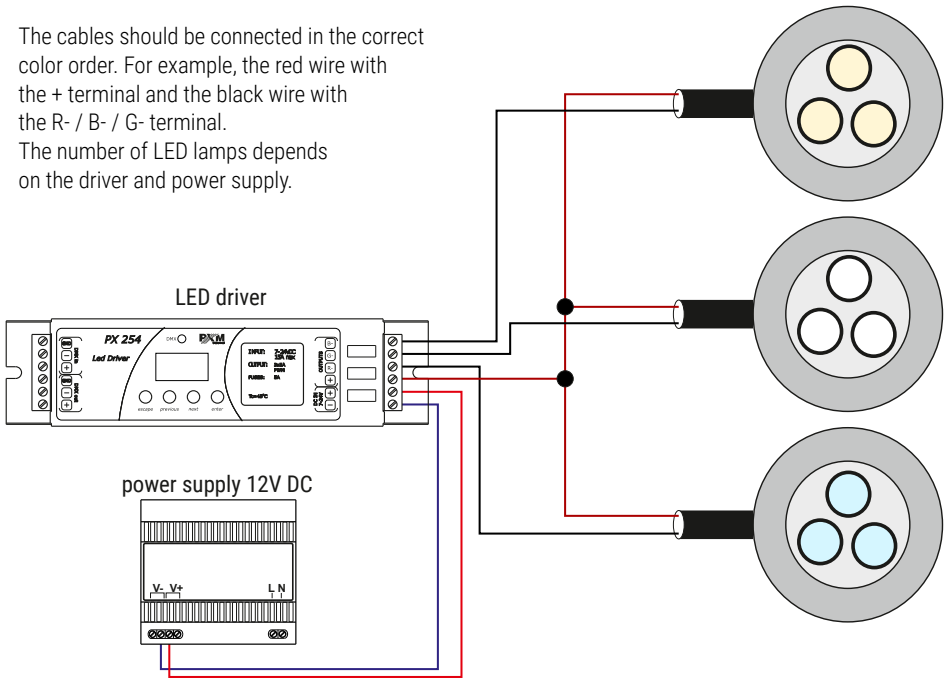
Example of marking for a lamp with a lens angle of 22°, LEDs 3000K and black housing:

PX350-22-930-2

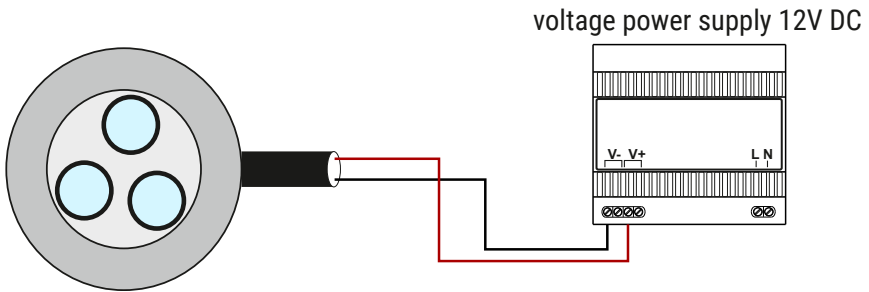
4 Connection scheme

a) diagram of connecting PX350 lamps with driver PX254

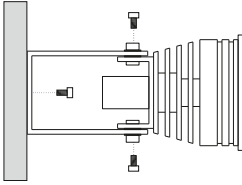
The cables should be connected in the correct color order. For example, the red wire with the + terminal and the black wire with the R- / B- / G- terminal.
The number of LED lamps depends on the driver and power supply.



b) diagram of connecting the lamp with voltage power supply

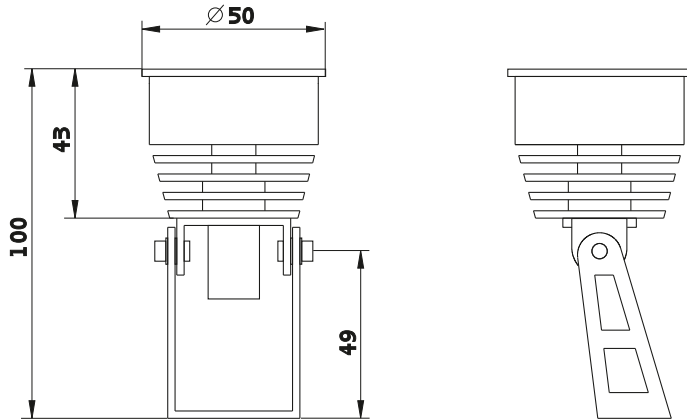


5 Mounting



The lamp is attached to the holder with two M4 Allen screws and can be rotated vertically. The handle is attached to the ground with one M5 screw, which in turn allows for rotation in the horizontal plane.

6 Dimensions



7 Technical data

type	PX350
power supply	12V DC
number of LEDs	3
current consumption	350mA
lenses	10°*, 22°, 40°*
LED colors	white cols, white neutral, white warm
weight	0.2kg
dimensions	diameter: 50mm height: 100mm

* - available on request

DECLARATION OF CONFORMITY

PXM Marek Żupnik spółka komandytowa
Podłęże 654, 32-003 Podłęże

we declare that our product:

Product name: PxSpot 3H 12V

Product code: PX350

meets the requirements of the following standards, as well as harmonised standards:

PN-EN IEC 63000:2019-01

EN IEC 63000:2018

PN-EN 60598-1:2015

EN 60598-1:2015

PN-EN 62471:2010

EN 62471:2008

and meets the essential requirements of the following directives:

2011/65/UE DIRECTIVE OF THE EUROPEAN PARLIAMENT AND OF THE COUNCIL of 8 June 2011 on the restriction of the use of certain hazardous substances in electrical and electronic equipment
Text with EEA relevance.


Marek Żupnik spółka komandytowa
32-003 Podłęże, Podłęże 654
NIP 677-002-54-53



mgr inż. Marek Żupnik.