



## Device description

The PxSpotBar lamp is designed for illumination of museums exhibitions or displays. Thanks to the use of advanced control electronics, a high-quality illuminator was created, meeting the high requirements for museum and exhibition lighting. Its most important advantages include a complete lack of ultraviolet radiation emission, trace amounts of infrared radiation, a very high factor of CRI color capturing, large brightness and small energy consumption.

The lamp can be configured using the PxArt+ Settings Controller or using the RDM protocol, which has been implemented in the device. The PX329 can be controlled by a DMX signal or it can operate independently in the event of loss or absence of a DMX signal.

Each spot (depending on version: 2, 3 or 4) can be freely set, thanks to the possibility of changing the lighting direction in two axes.

Below is a description of the PX329 model designations with their explanation:

### PX329-UU-WW-YYY-Z

**UU – version:**

X2 – double spot  
X3 – triple spot  
X4 – quadruple spot

**Z – housing colors:**

1 – gray  
2 – black  
3 – white

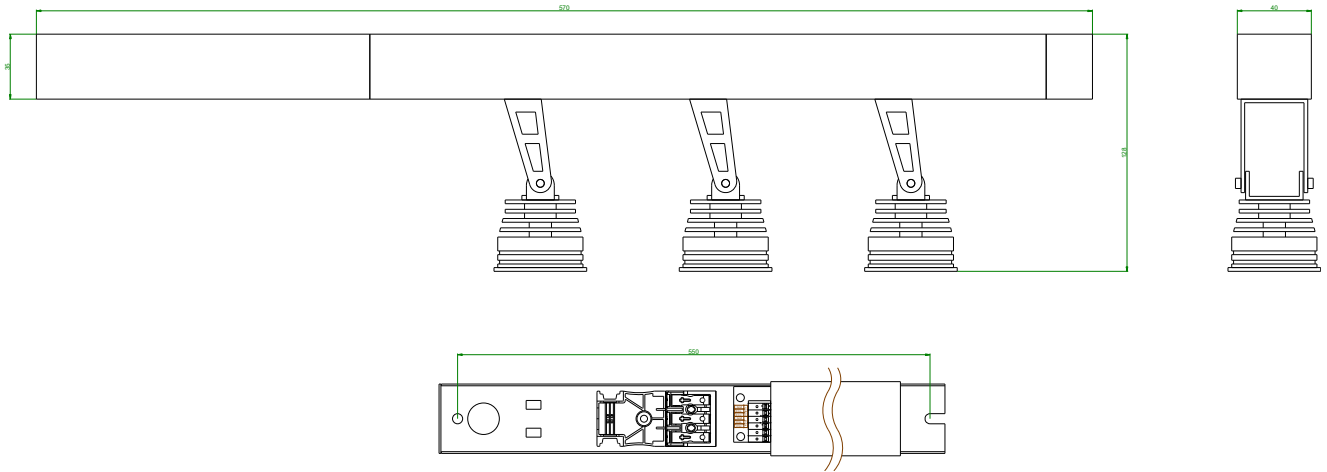
**WW – beam angle:**

25 – 25°  
40 – 40°

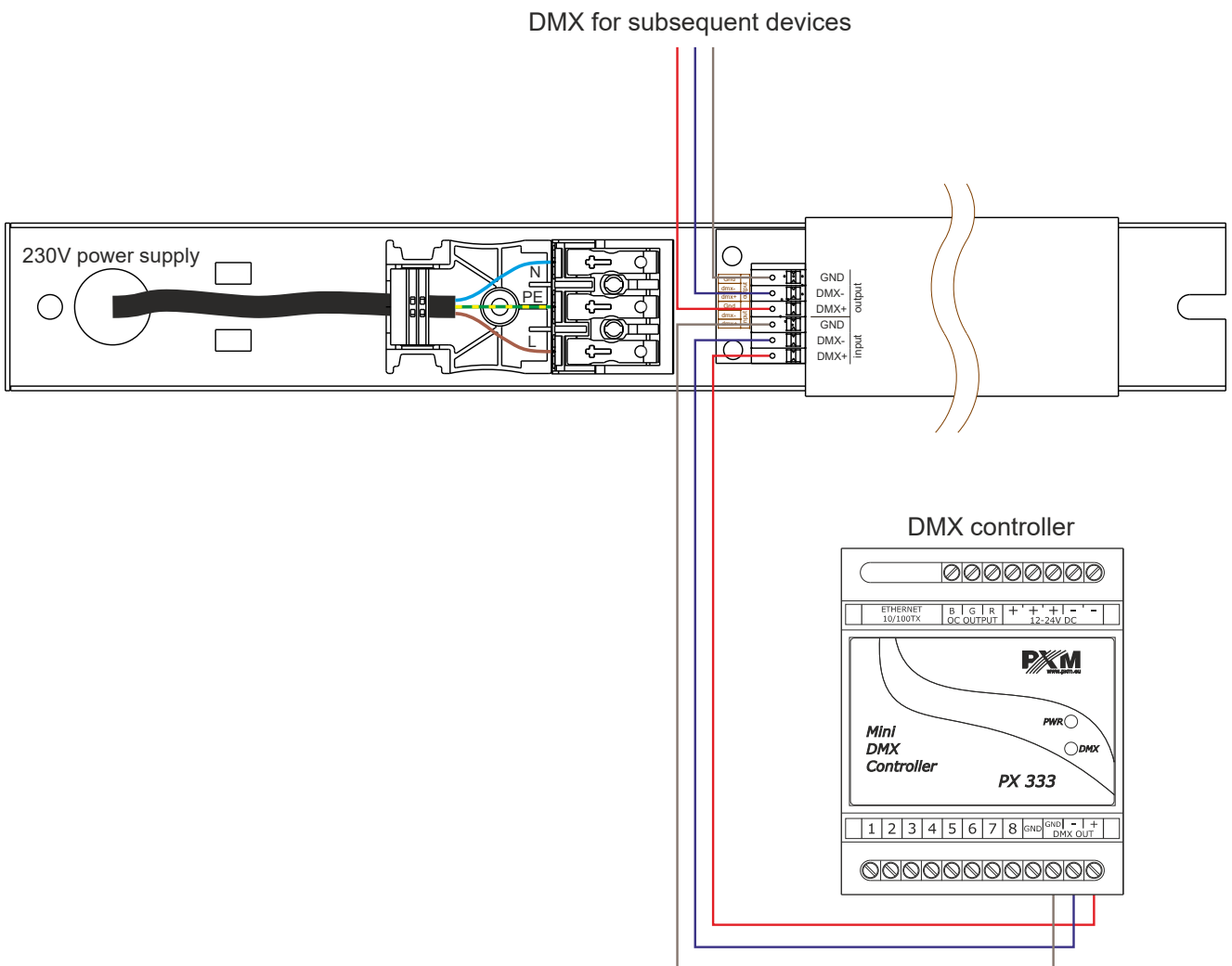
**YYY – CRI and color temperature:**

927 – CRI 90, 2700K  
930 – CRI 90, 3000K  
940 – CRI 90, 4000K  
950 – CRI 90, 5000K  
965 – CRI 90, 6500K

# Technical drawing



# Connection diagram



## Technical data

---

|                           |  |
|---------------------------|--|
| type                      | PX329  |
| number of sport           | 2 / 3 / 4*                                   |
| beam angle                | 25°, 40°                                     |
| power supply              | 230V AC                                      |
| color temperature version | 2700K, 3000K, 4000K, 5000K, 6500K            |
| CRI index                 | min. 90                                      |
| control                   | DMX, RDM, PX277                              |
| housing material          | aluminum / stainless steel                   |
| available housing colors  | gray, black, white                           |
| dimensions                | length: 570mm<br>width: 40mm<br>depth: 128mm |

\* - depending on the version