



Device description

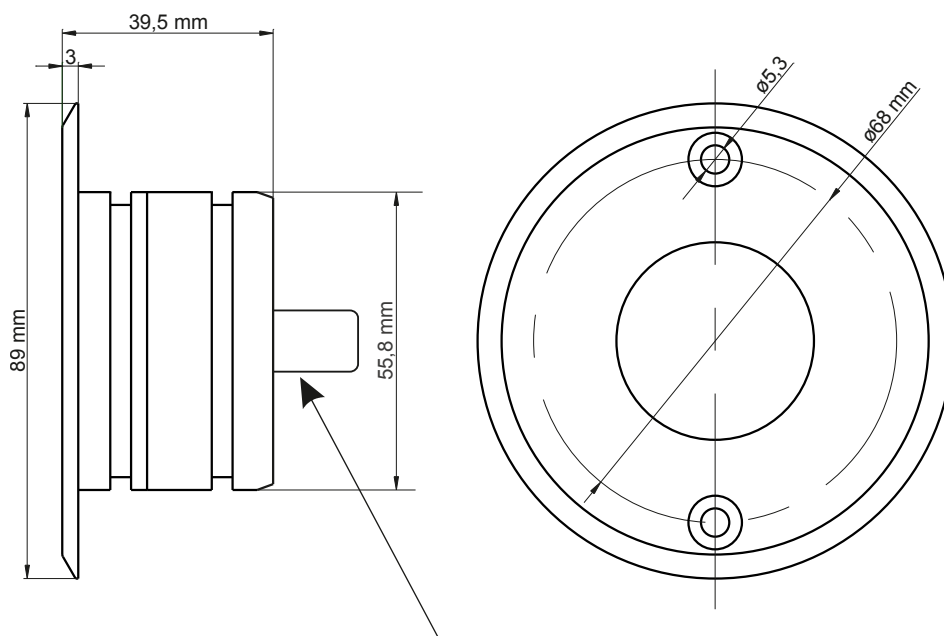
LED lamp PxAqua 3 SF 12V is intended for underwater and inrun lighting. It can also be used to illuminate the interior or exterior architectural details.

The lamp uses three high-performance Osram Oslon® LEDs. LEDs are available in white color, in different color temperatures: 2700K, 3000K, 4000K, 5000K, 5700K. The PX291 may be provided with optic beam angles of 10°, 22° (standard) or 40°. The casing is made of stainless steel (316L).

The lamp is powered by 12V DC. In order to run it, use a voltage driver or voltage power supply. In case of using a voltage driver, e.g. PX254, it is possible for dimming the lamp.

The device is supplied with a 2m cable.

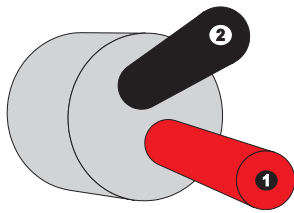
Technical drawing



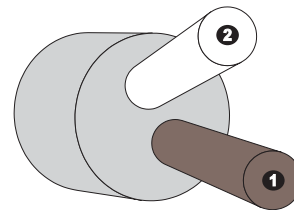
When mounting the lamp, you need to leave enough space for cable gland, from which goes out the power cord

Connection diagram

Presented below are the possible colors of the wire used in the lamp. The cable should be connected as described. Lamps should only be connected parallel.



1. + (red)
2. - (black)

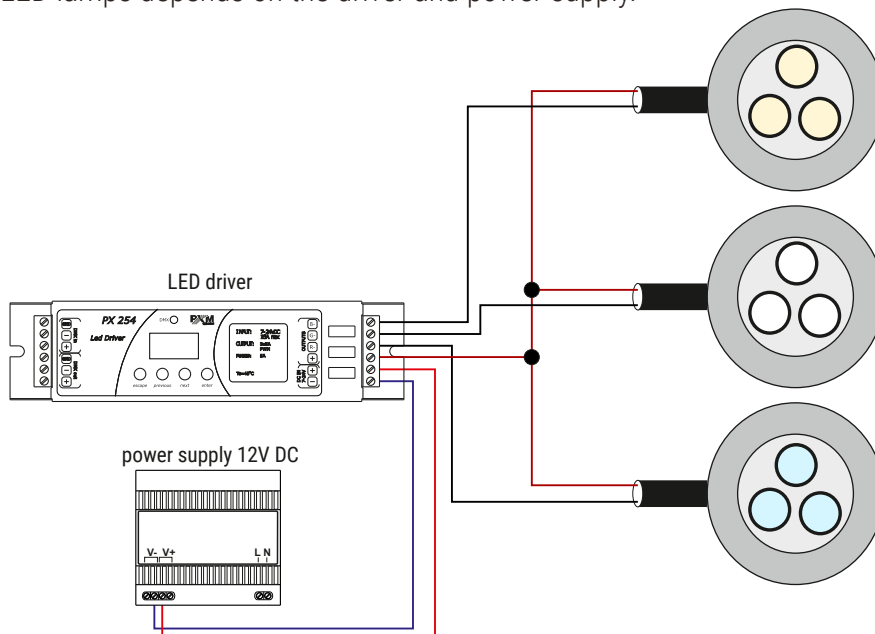


1. + (brown)
2. - (white)

Sample connection of the PX291 to a PX254 driver

The cables should be connected in the correct color order. For example, the red wire with the + terminal and the black wire with the R- / B- / G- terminal.

The number of LED lamps depends on the driver and power supply.



Technical data

type	PX291
power supply	12V DC
number of LEDs	3
current consumption	350mA
IP rate	IP68
housing	stainless steel (316L)
CRI	≥80
lighting angles	10°*, 22°, 40°*
available LED colors	2700K, 3000K, 4000K, 5000K, 5700K
brightness (22° / 1m)	~1120lx
weight	0.6kg
dimensions	diameter: 89mm height: 39.5mm

* - available on request