



Device description

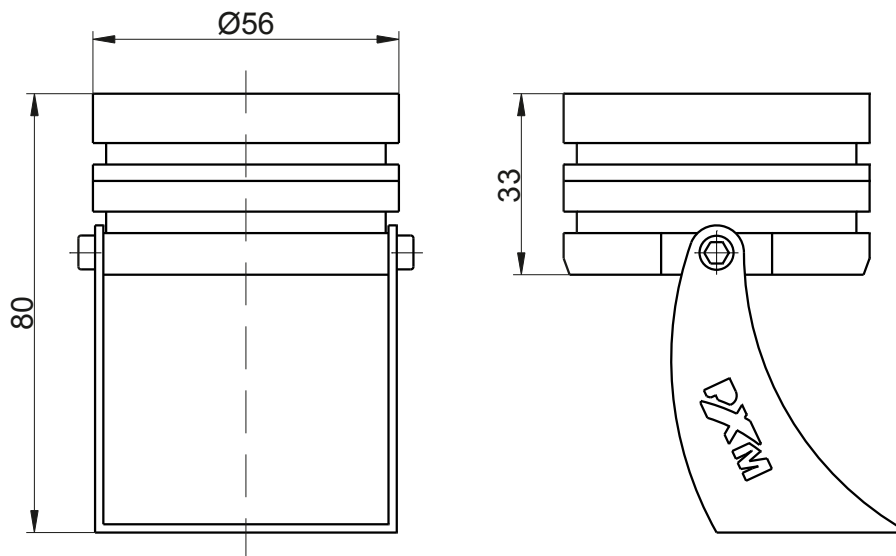
LED lamp PxAqua 3 SH 12V is designed for underwater lighting. It can also be used to illuminate the interior or exterior architectural details.

The lamp uses three high-performance OSRAM Oslon LEDs. LEDs are available in white color, in different color temperatures: 2700K, 3000K, 4000K, 5000K, 5700K. The PX284 may be provided with optics beam angles of 10°, 22° (standard) or 40°. The casing is made of stainless steel (316L).

The device is supplied with 2m cable.

The PX284 can only be powered supplied from 12V DC. It can be powered with a voltage LED driver or voltage power supply. It also can be dimmed, when using voltage LED driver, e.g. PX254.

Technical drawing



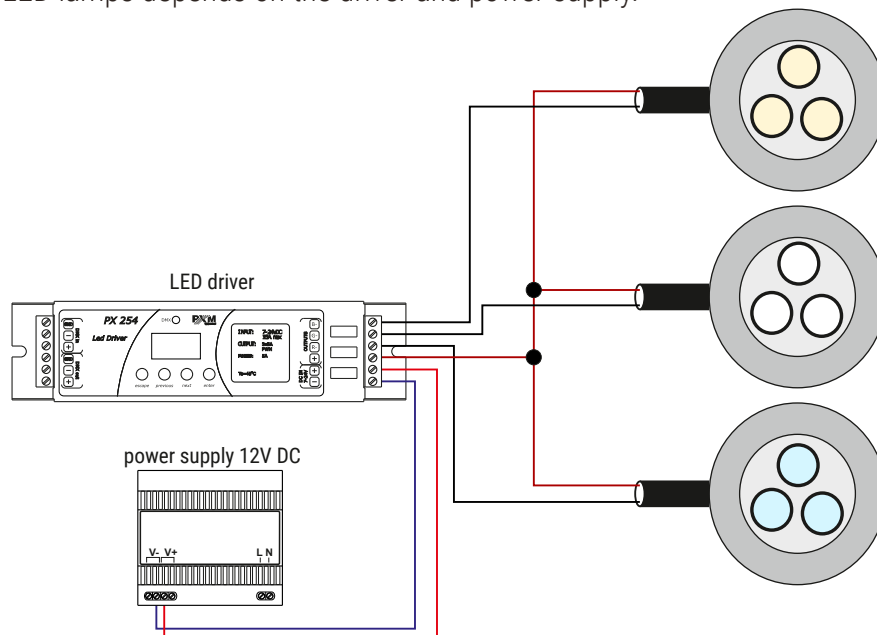
NOTE! When mounting the lamp, you need to leave enough space for cable gland, from which goes out the power cord.

Connection diagram

Sample connection of the PX284 to a PX254 driver.

The cables should be connected in the correct color order. For example, the red wire with the + terminal and the black wire with the R- / B- / G- terminal.

The number of LED lamps depends on the driver and power supply.



Technical data

type	PX284
number of LEDs	3
power supply	12V DC
current consumption	350mA
IP rate	IP68
housing	stainless steel (316L)
CRI	≥80
beam angles	10°*, 22°, 40°*
LED colors	2700K, 3000K, 4000K, 5000K, 5700K
brightness (22° distance 1m)	1120lx
weight	0.5kg
dimensions	diameter: 56mm height: 33mm height with the handle: 80mm

* - available on request