

DMX/0-10V Interface 8ch



Device description

Demultiplexer DMX-512 signal on 0 – 10V.

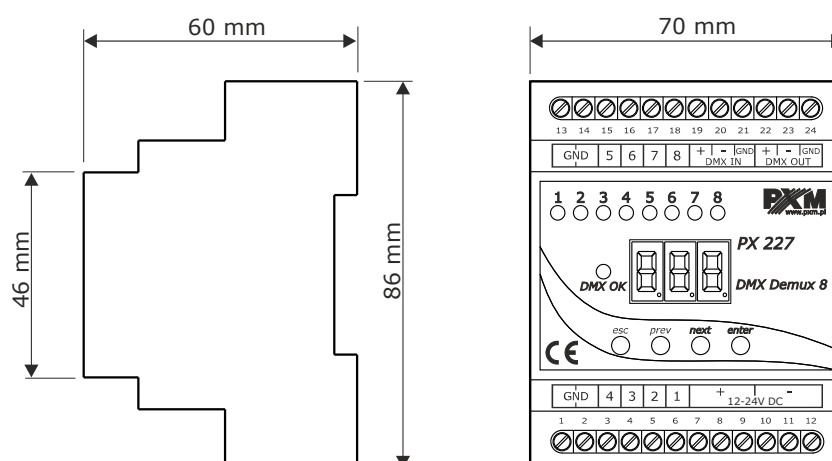
The PX227 is designed to process the DMX512 signal to control the eight analog 0 – 10V outputs with accuracy $\pm 3\%$.

In addition to simple decoding DMX signal the PX227 allows to select the characteristics of control and program unit reacts to loss of DMX signal. Individually programmable parameters allow to define independent for each channel DMX address from range 1 – 512. What is more it is possible to arbitrarily assign multiple channels to a single address.

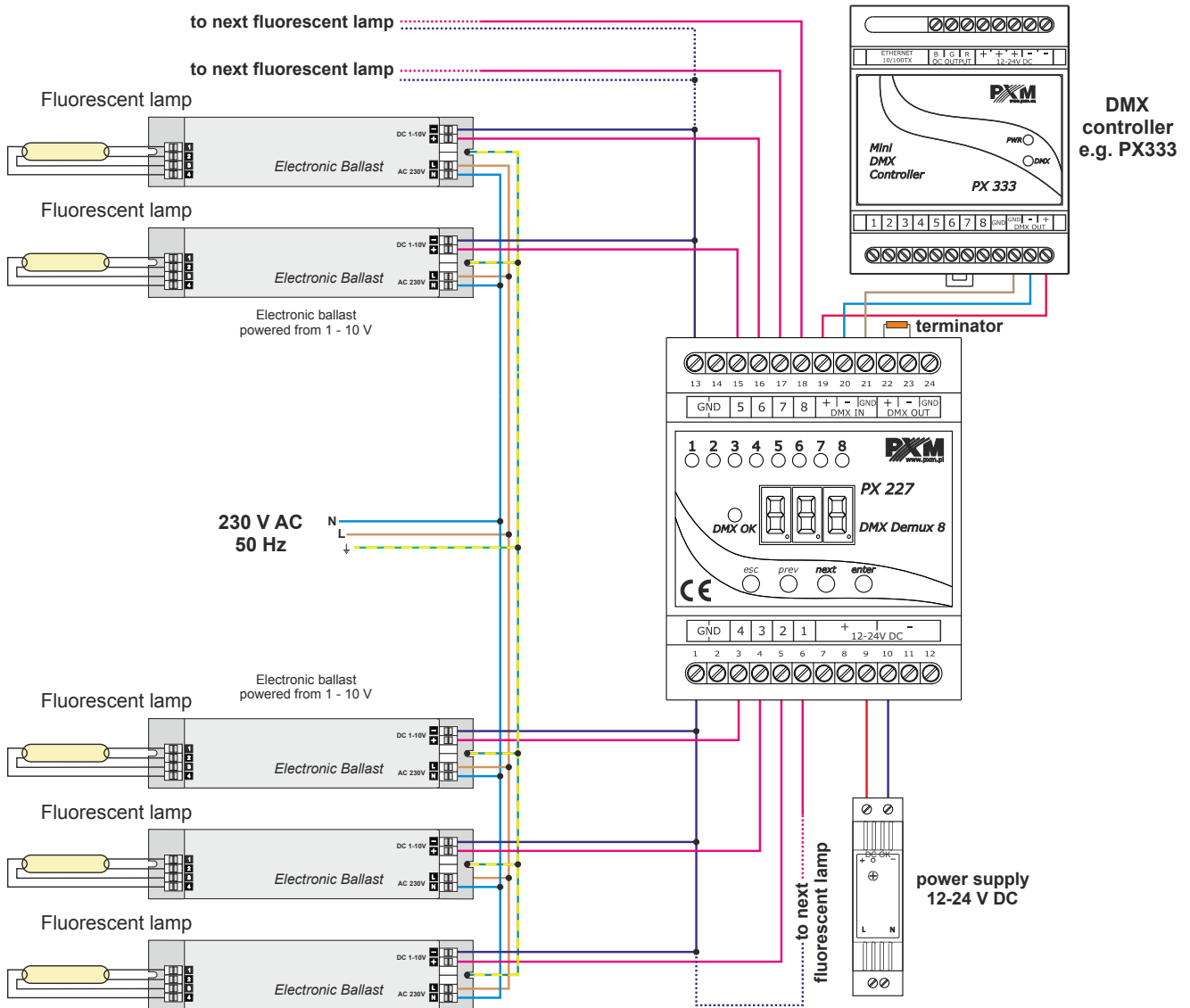
DMX / 0-10V Interface 8ch has been placed in a housing adapted for mounting on a 35mm DIN rail and is powered by a safe voltage of 12 – 24V DC.

From software version 2.06, support for the RDM protocol has been implemented.

Technical drawing



Connection diagram



Technical data

type	PX227
power supply	12 – 24V DC
number of DMX channels	512
RDM protocol	yes (from version 2.06)
number of output channels	8
voltage on outputs	0 – 10V ($\pm 3\%$)
output sockets	screw terminals
current consumption	max. 250mA
outputs load	max. 30mA / channel
weight	0.14kg
dimensions	width: 70mm (4 modules) height: 86mm depth: 60mm