

PX 223

LAMP LED  
6 x REBEL IP 68

INSTRUCTION  
MANUAL



# CONTENTS

|                                       |   |
|---------------------------------------|---|
| 1. General description.....           | 1 |
| 2. Safety conditions.....             | 1 |
| 3. Information about the version..... | 2 |
| 4. Lamp description.....              | 3 |
| 5. Connections scheme.....            | 4 |
| 6. Dimensions.....                    | 5 |
| 7. Technical specification.....       | 5 |
| 8. Declaration of conformity.....     | 6 |

*Manufacturer reserves the right to make modifications in order to improve device operation.*

*PXM s.c.  
ul. Przemysłowa 12  
30-701 Kraków*

*tel.: +48 12 626 46 92  
fax: +48 12 626 46 94  
E-mail: [info@pxm.pl](mailto:info@pxm.pl)  
Internet: [www.pxm.pl](http://www.pxm.pl)*

# 1. General description

Underwater 6-LED LAMP PX223 x REBEL 6 IP 68 with adjustable foot.

Lamp PX 223 is designed to be installed underwater. It allows a full spectrum of 65 000 colors when connected to an external controller. Use of high-quality LEDs provides bright light with low power consumption.

When purchasing lamps customer can choose the appropriate scattering angle lenses and color LEDs to be installed. This allows to adapt the device to the specific conditions. The lamp is designed for lighting of pools, fountains, ponds, garden items, and building facades.

The casing is made of brass, which gives it proper weight and protects against harmful external conditions. A specially made adjustable foot simplifies installation.

# 2. Safety conditions

During installation and use of the device PX 223 LAMP LED 6 x REBEL IP 68 the following rules must be strictly observed:

1. Installation, particularly power connection, should be performed by a person holding the appropriate qualifications, according to instruction manual.
2. Lamp may only be connected to stabilized voltage with current-carrying capacity compatible with technical data.
3. All the conductors should be protected against mechanical and thermal damage.
4. In case of damaging any conductor, it should be replaced with a conductor of the same technical data and attestations.
5. All repairs should be made with cut off power supply.
6. Device with visible mechanical damage cannot be connected to the mains.
7. All sudden shocks, particularly dropping, should be avoided.
8. Do not connect the device into the installation when the case leak is suspected.

### 3. Information about the version

The PX 223 lamp is available in several versions differing in angle of used lenses.

Below is a description of the PX223 models designations and their explanation.

PX 223 - 6 x K2 - XX - YYY - IP68

XX-lens angle.

Available values:

10 - 10°

25 - 25°

45 - 45°

YYY- LEDs colours.

Available colours:

W - warm white

N - neutral white

C - cold white

R - red

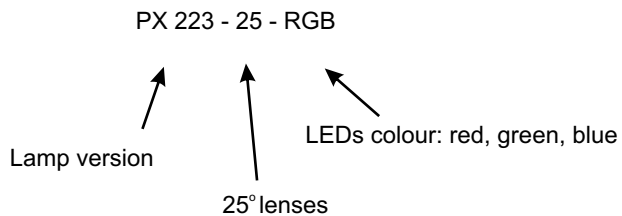
G - green

B - blue

A - amber

When ordering, select the lamp LED diodes color to be placed in the device.

**Example of lamp marking:**

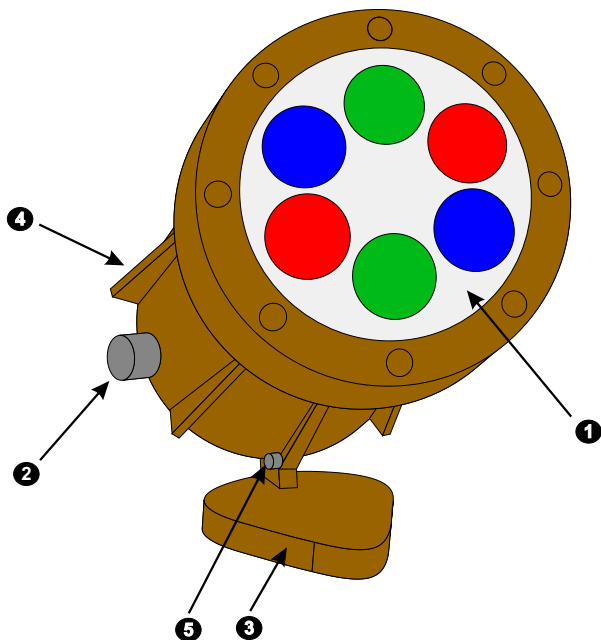


Casing version:

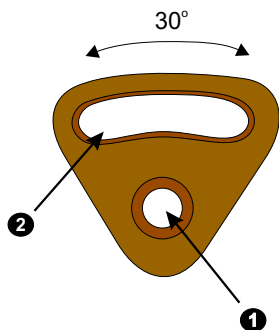
Waterproof IP68.

Casing is in accordance with IP68 standard, allows to use the device underwater in applications such as fountains, pools, and in places exposed to adverse weather conditions.

## 4. Description



- ❶ 6 LEDs diods
- ❷ DMX Input
- ❸ Support
- ❹ Radiator
- ❺ Screw that connects the body with the support (allows you to adjust the angle of inclination of the lamp in the vertical plane)

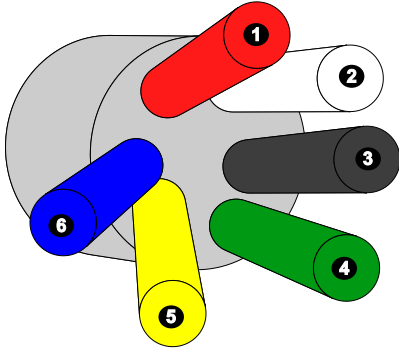


### Support

- ❶ Bolt hole for a fastening screw
- ❷ Assisting bolt hole  
It allows you to adjust the lamp configuration in the horizontal plane of 30 °

## 5. Connections scheme

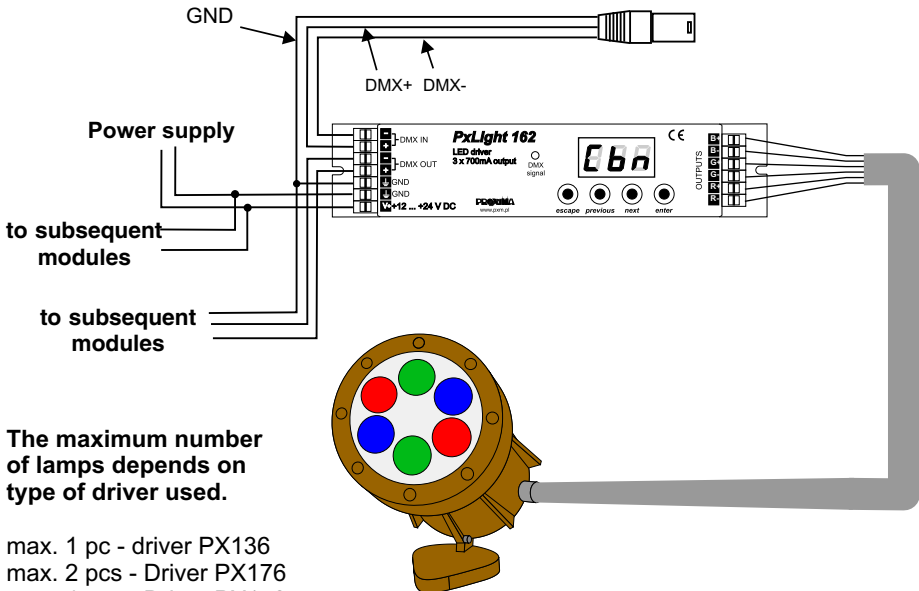
The lamp is connected via 6-strand cable, shown in the figure below.



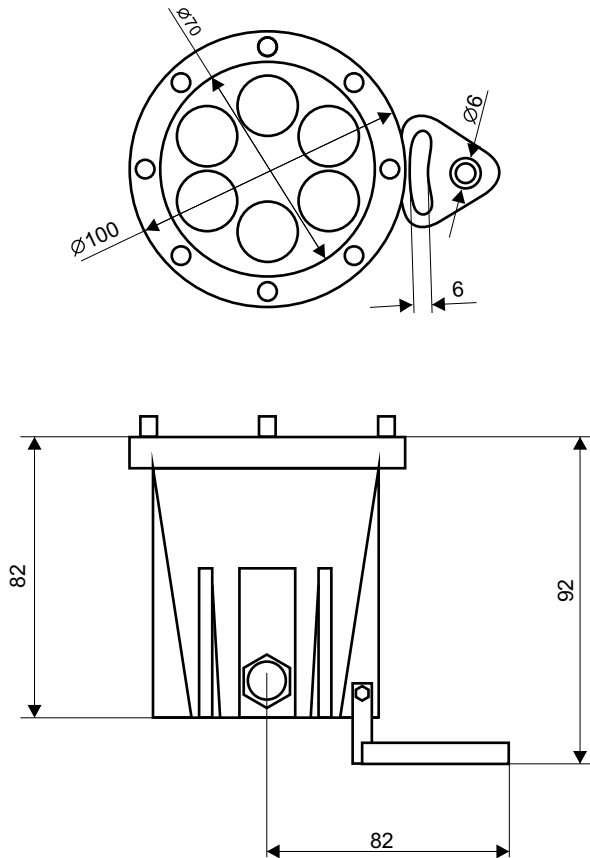
- ❶ RED + (red)
- ❷ RED - (white)
- ❸ GREEN - (gray)
- ❹ GREEN + (green)
- ❺ BLUE - (yellow)
- ❻ BLUE + (blue)

Example of linking the PX 223 to the driver PxLight 162.

Wires should be connected with an appropriate sequence of colors.



## 6. Dimensions



## 7. Technical specification

Number of LEDs: 6

Casing Material: Brass

Casing: IP 68

Weight: 1,6 kg

Dimensions: Diameter: 100 mm  
Casing height: 82 mm  
Height with support: 92 mm



ul. Przemysłowa 12  
30-701 Kraków

tel: +48 12 626 46 92  
fax: +48 12 626 46 94

e-mail: info@pxm.pl  
http://www.pxm.pl

## DECLARATION OF CONFORMITY according to guide lines 89/336/EWG

Name of producer: PXM s.c.

Address of producer: ul. Przemysłowa 12  
30-701 Kraków

*declares that the product:*

Name of product: **LAMP LED 6 x REBEL IP 68**

Type: **PX 223**

*answers the following product specifications:*

**EMC:** **PN-EN 55103-1**  
**PN-EN 55103-2**

*Additional informations:* 1. Control cable must be connected to the driver in an appropriate order.

Kraków, 01.06.2008

**PXM** S.C.  
Danuta i Marek Żupnik  
30-701 Kraków, ul. Przemysłowa 12  
NIP 677-002-54-53

mgr inż. Marek Żupnik.