



Device description

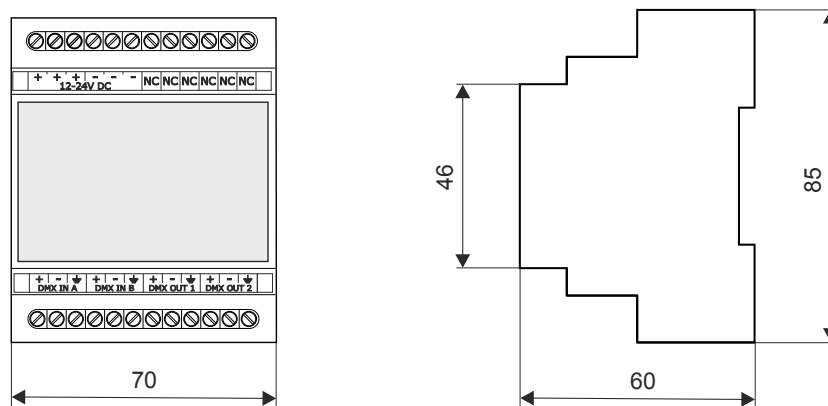
Merger DMX – rail DMX signal adder.

DMX-512 is a protocol that defines the serial transmission of control data for 512 channels. Many drivers can not produce full range of 512 addresses and send data for a smaller number of channels. In the case of installations where few such type of drivers work together, there is sometimes a need to add output of individual devices and send them via a single DMX circuit.

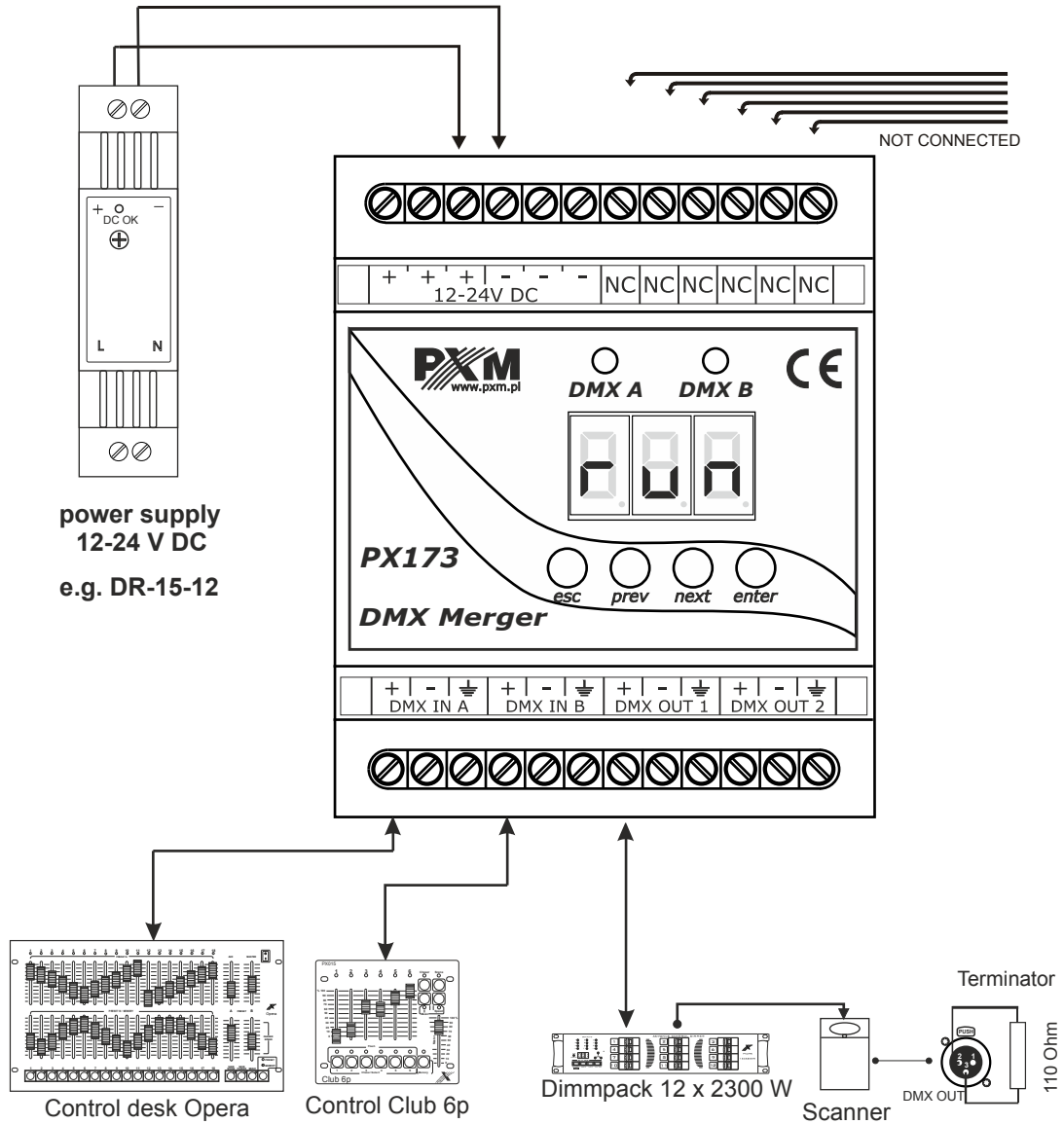
Merger DMX is a device that allows to add together the DMX signals – get data from several inputs, set them in correct order and send to single 512-channel output.

The PX173 is an adder of two 512-channels inputs. The installation of the device is limited to connecting the power supply and connecting the DMX control cables. Facilitation of DMX operation and control are DMX signal presence controls in individual paths ("A" and "B") and a specially built control system with display of operating mode, enabling full control of receivers connected to the output path. Remember to properly connect the receiver in the DMX path – the receivers must be connected in series to form a chain, it is necessary to connect the terminator at the output of the last receiver.

Technical drawing



Connection diagram



Technical data

| | |
|--------------------|--|
| type | PX173 |
| power supply | 12 – 24V DC |
| DMX I / O channels | 512 / 512 |
| DMX I / O lines | 2 / 2 |
| power consumption | max. 5W |
| output sockets | screw terminals |
| weight | 0.15kg |
| dimensions | width: 70mm height: 85mm depth: 60mm |