

LMS062

Digital  
Dimmpack  
2 x 1200 W

INSTRUCTION  
MANUAL



# CONTENTS

1. General description.....	1
2. Safety conditions.....	1
3. Connectors and control elements description.....	2
4. DMX signal connection.....	3
5. Displayed messages meaning.....	3
6. Dimmer programming.....	3
7. Programmable parameters.....	4
7.1. Group parameters.....	4
7.2. Individual parameters.....	5
7.3. Scenes and chasers programming.....	5
8. Pulley dimensions.....	5
9. Technical specification.....	5
10. Menu scheme.....	6
11. Declaration of conformity.....	7

*Manufacturer reserves the right to make modifications in order to improve device operation.*

<i>PXM s.c.</i>	<i>tel.: (+48 12) 626 46 92</i>
<i>ul. Przemysłowa 12</i>	<i>fax: (+48 12) 626 46 94</i>
<i>30-701 Kraków</i>	<i>E-mail: info@pxm.pl</i>
<i>POLAND</i>	<i>Internet: www.pxm.pl</i>

# 1. GENERAL DESCRIPTION

PX062 is a digital dimmer of 2 x 1200 W power, destined to DIN rail mounting in the electrical switching stations. PX062 is powered with one phase. Allows to control two independent circuits, 1.2 kW each.

The advanced electronics allows to address freely every channel, select the control characteristics (linear, inverted linear, logarithmic, exponential, switcheable on/off and three characteristics for neon lamps control), set the ACL level (level of the output voltages in a range from 50 to 230 V, exact to 1 V), adjust the preheat (bulbs' filaments preheating, from 0 to 10%) and to select the dimmer reaction to DMX signal interruption (off, on at 100%, slow dimming, previously controlled value, one of three scenes or one of two chasers).

Built-in PLL, soft-start, soft-on and even-off systems allow for the reliable work even in the most difficult conditions. Direct zero cross-over with opto-isolated DMX input guarantee high noise resistance.

The module is equipped with DMX-512 standard control inputs.

136 mm wide case for DIN rails mounting.

# 2. SAFETY CONDITIONS

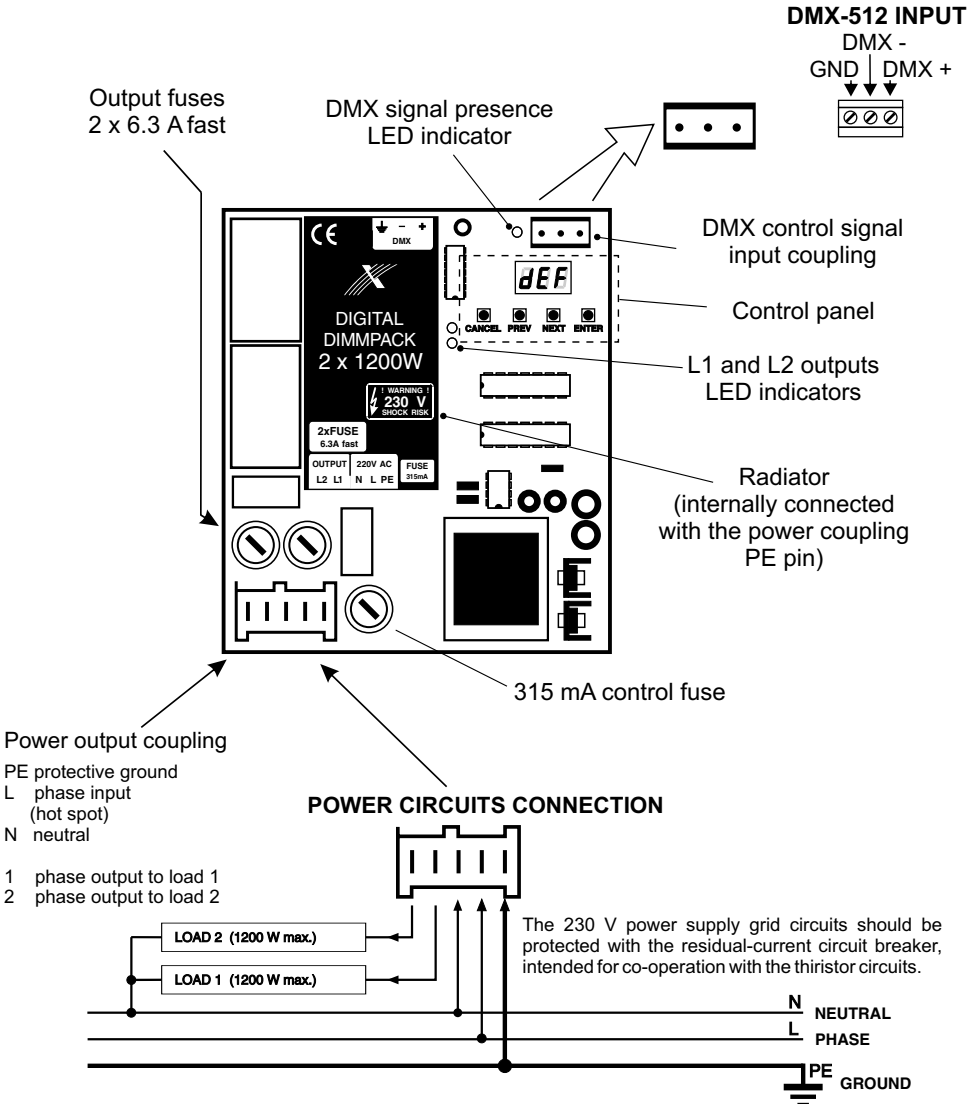
PX062 Dimmer is powered directly from standard 230 V grid what can cause electric shock when safety rules are not observed. Therefore it is necessary to observe the following :

1. Installation, particularly power connection, should be performed by a person holding the appropriate qualifications, according to instruction manual.
2. Dimmer can be connected only to grid, which has protecting installation in working order (3-wire grid).
3. All the conductors should be protected against mechanical and thermal damage.
4. In the event of damaging any conductor, it should be replaced with a conductor of the same technical data and attestations.
5. The external devices can be connected to the dimmer with 3-strand 1.5 mm<sup>2</sup> minimum cross-section area only.
6. The dimmer can be installed in closed switching stations only, that block off the access of person, who does not hold the qualifications to attend the devices powered with 230 V tension.
7. After the installation is completed, check the neutralization efficacy of all powered devices.
8. All repairs, as well the fuse replacement, should be made with cut off power supply.
9. The device should be strictly protected against water and other liquids.
10. All sudden shocks, particularly dropping, should be avoided.
11. Device with visible mechanical damage cannot be connected to the mains.
12. The device cannot be turned on in places with humidity exceeding 90%.
13. The device cannot be used in places with temperature lower than 2°C or higher than 40°C.

## ATTENTION!!!

1. Improper connection of the protective wire can cause electric shock.
2. Improper connection of the neutral wire automatically causes the dimmer malfunction.
3. The dimmer can control resistive and inductive circuits (loads) only. The dimmer cannot be used for controlling the electronic transformers, electronic ballasts for fluorescent lamps and other devices that have electronic circuits, unless the producer distinctly states so.

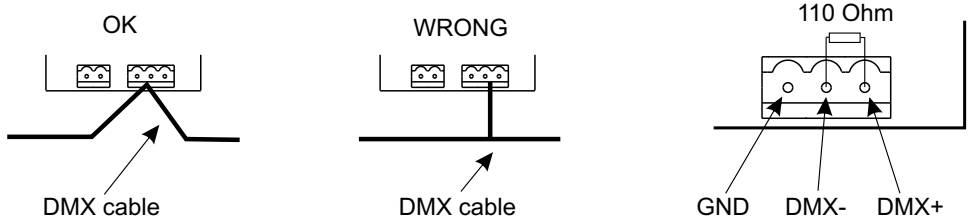
## 3. CONNECTORS AND CONTROL ELEMENTS DESCRIPTION



## 4. DMX SIGNAL CONNECTION

PX062 must be connected to the DMX line in series. This means that DMX connector of PX062 must be connected to the control cable, and then from this connector the control cable should run to other DMX receivers.

If PX062 is the last device in the DMX line, then terminals "DMX+" and "DMX-" should be connected to a terminator - 110 Ohm resistor.



## 5. DISPLAYED MESSAGES MEANING

<b>000</b>	Lack of the DMX signal. Slow dimming (approx. 20 secs of all the outputs).	<b>H00</b>	No DMX signal: holding all the previously controlled values.
<b>00</b>	Minimal brightness of a particular channel shown in percents (%).	<b>End</b>	Individual programming parameters.
<b>100</b>	Maximal brightness of a particular channel shown in percents (%).	<b>LIn</b>	Characteristics: linear.
<b>ACL</b>	Limitation of the output voltage in a range from 50 - 230 V.	<b>LnU</b>	Characteristics: logarithmic.
<b>AdF</b>	DMX address. Selected from range 1 - 511 (when 511 is set, channel no. 2 has 512 address).	<b>InU</b>	Characteristics: inverted.
<b>ALL</b>	Group parameters.	<b>nE1</b>	nE1 - nE3. Characteristics: for neon lamps control.
<b>C01</b>	C01 - C02, number of the edited channel.	<b>noS</b>	No DMX signal. Device reaction to DMX signal interruption (7 options).
<b>CFE</b>	Factory defined chaser (additionally - reaction to DMX signal interruption).	<b>00n</b>	No DMX signal: turning all the outputs on at 100%.
<b>CFP</b>	Programmable chaser (additionally - reaction to DMX signal interruption).	<b>OFF</b>	No DMX signal: turning all the outputs off.
<b>COF</b>	Characteristics. 6 different dimming characteristics to choose from.	<b>PRE</b>	Preheat - bulb filament preheating. Set in a range from 0 - 10 %.
<b>DEF</b>	Scenes and chasers programming.	<b>Sc1</b>	Sc1 - Sc3 - programmable scenes (set also when the DMX signal is off).
<b>E0P</b>	Characteristics: exponential.	<b>SP1</b>	Chaser speed, in a range from 001 - 032.
<b>F01</b>	F01 - F04 - numbers of the edited scenes.	<b>SP</b>	Characteristics: switchable.
<b>FAd</b>	Scene smooth fading feature turning on / off.		

## 6. DIMMER PROGRAMMING

After turning the device on, software version is displayed on the screen. During the DIMMER normal operation the screen displays only one dot signalling operation of the device. Press ENTER to switch to the main menu, the display will show **ALL**. Press PREVIOUS or NEXT to select programming menu (**ALL**, **InU**, **DEF**), and then press ENTER to confirm your selection.

## 6. PROGRAMMABLE PARAMETERS

The dimmer allows to program the different operation parameters:

### 1. The group parameters - **ALL** menu

Chosen settings are same for all channels. In case of the DMX address the displayed value is related to the first channel. For all the other channels subsequent address values are assigned.

### 2. Individual parameters - **IND** menu

Each channel can be programmed individually. It applies also to the DMX address. The same address can be programmed for several channels.

Group parameters have higher priority then individual ones. It means that when the DMX address is programmed in the **ALL** mode, the previous settings for all twelve channels will be cancelled.

### 3. Scenes and chasers programming - **DEF** menu

This function enables to program:

- settings for all three scenes
- twelve steps settings and the speed and fading of programmable chaser
- speed and fading of the factory-defined chaser.

## 6.1. GROUP PARAMETERS

1. **ADR** - DMX address. It is chosen from the 1 - 511 range (when 507 address is chosen, channel no. 2 has the address 512).

2. **CUR** - control curve choice. There are 8 options to choose from:

**LIN** - linear,

**SWP** - switchable,

**INV** - inverted,

**LOG** - logarithmic,

**EXP** - exponential,

**NE1...NE8** - for neon lamps control.

3. **RLT** - limit. Limiting of the output voltage in the range 50 - 230 V.

4. **PRE** - preheat. Heating up the bulb filaments. Set in the range from 0 - 10 %.

5. **SSS** - lack of signal. It determines functioning of the dimmer in case of the interruption of the

DMX signal. There are 9 options to choose from:

**ON** - turning all outputs on at 100%,

**OFF** - turning all outputs off,

**HLD** - the last received value is held,

**7-1** - slow output switching off (about 20 secs),

**SE1...SE9** - programmable scenes,

**CFR** - factory-defined chaser,

**CRP** - programmable chaser.

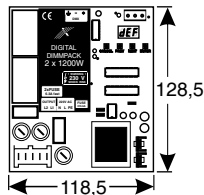
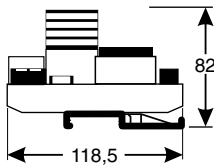
## 6.2. INDIVIDUAL PARAMETERS

1. **[AdF]** - DMX address. Chosen from the 1 - 512 range.
2. **[CvF]** - control curve choice. There are 8 options to choose from:
  - [Lin]** - linear
  - [SP]** - switchable
  - [Inv]** - inverted
  - [Log]** - logarithmic
  - [Exp]** - exponential
  - [NE1]...[NE3]** - for neon display steering.
3. **[RE]** -limit. Limiting the output voltage in the range 50 - 230 V.

## 6.3. SCENES AND CHASERS PROGRAMMING

1. **[Sc1]...[Sc3]** - scenes programming
  - [C01]...[C02]** - the number of the edited channel
  - [00]...[100]** - channel value described in %.
2. **[CFP]** - programmable chaser
  - [F01]...[F04]** - numbers of the edited scenes
  - [C01]...[C02]** - numbers of the edited channel
  - [00]...[100]** - the value of the chosen channel described in %
  - [SPd]** - chaser speed in the range 1 - 32
  - [FRd]** - switching on / off of the crossfade function.
3. **[CFF]** - factory-defined chaser
  - [SPd]** - chaser speed in the range 1 - 32
  - [FRd]** - switching on / off of the crossfade function.

## 7. PULLEY DIMENSIONS [mm]

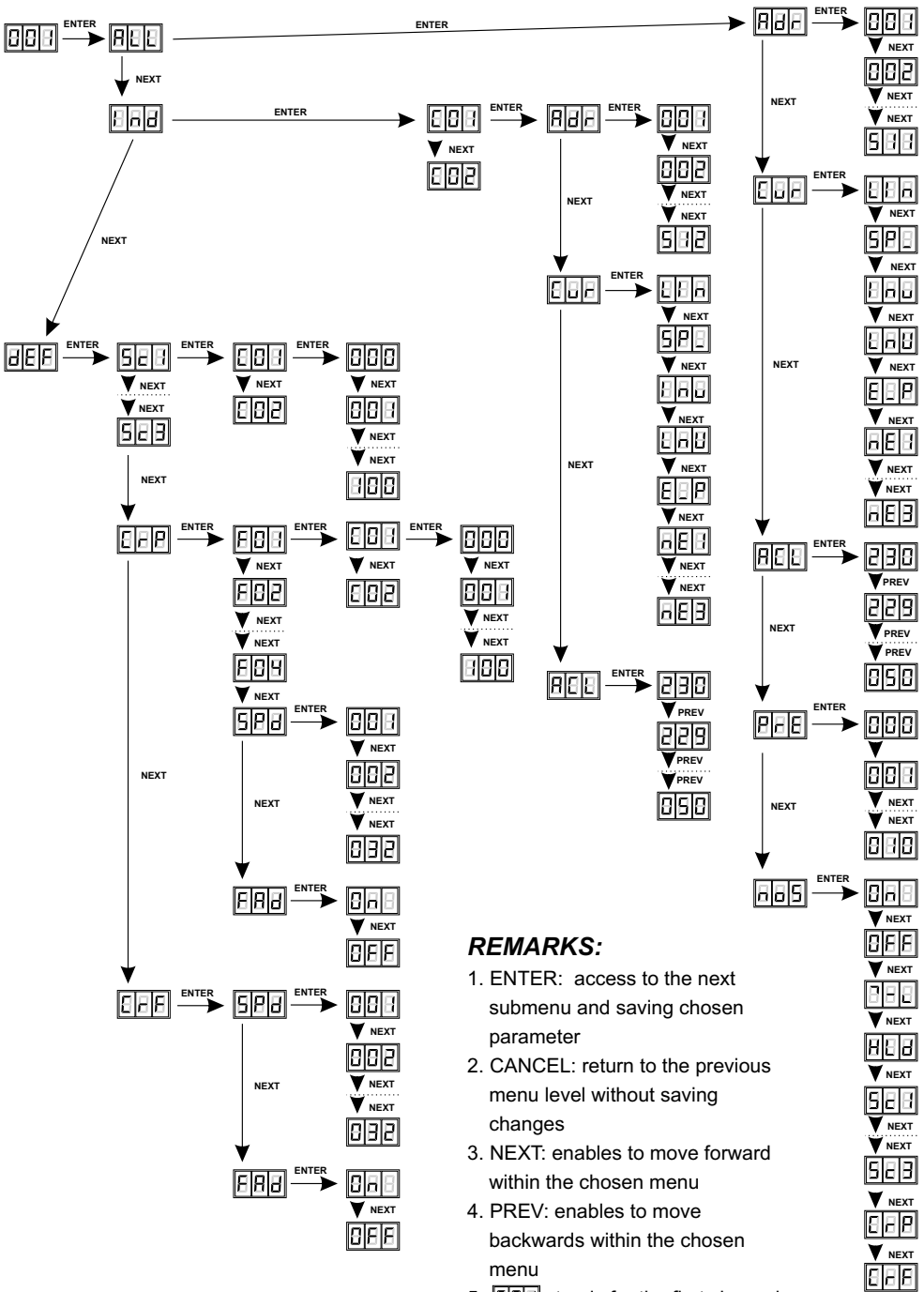


## 8. TECHNICAL SPECIFICATION

- control input - DMX-512
- outputs load capacity - 2 x 1200 W continuous load (resistive)  
- 2 x 1200 VA continuous load (inductive)
- outputs protection - 2 x 6.3 A fast fuses
- power supply - 230 V / 50 Hz
- maximal current consumption - 10 A
- dimensions:
  - width 118,5 mm
  - height 128,5 mm
  - depth 82 mm



# 9. MENU SCHEME



**REMARKS:**

1. ENTER: access to the next submenu and saving chosen parameter
2. CANCEL: return to the previous menu level without saving changes
3. NEXT: enables to move forward within the chosen menu
4. PREV: enables to move backwards within the chosen menu
5. **001** stands for the first channel





ul. Przemysłowa 12  
30-701 Kraków, Poland

tel: +48 12 626 46 92  
fax: +48 12 626 46 94

e-mail: info@pxm.pl  
http://www.pxm.pl

## DECLARATION OF CONFORMITY

according to guide lines 73/23/EWG and 89/336/EWG

Name of producer: PXM s.c.

Address of producer: ul. Przemysłowa 12  
30-701 Kraków

*declares that the product:*

Name of product: **Digital Dimmpack 2 x 1200 W**

Type: **PX062**

*answers the following product specifications:*

**LVD: PN-EN 60065**

**EMC: PN-EN 55014**

*Additional informations:*

1. The dimmer PE terminal has to be connected to the efficient protective installation, equipped with the residual-current circuit breakers.
2. The dimmer can be installed in the closed switching stations only.

**PXM** S.C.

Danuta i Marek Żupnik  
30-701 Kraków, ul. Przemysłowa 12  
NIP 677-002-54-53

Kraków, 01.06.2006

Marek Żupnik M.Sc.